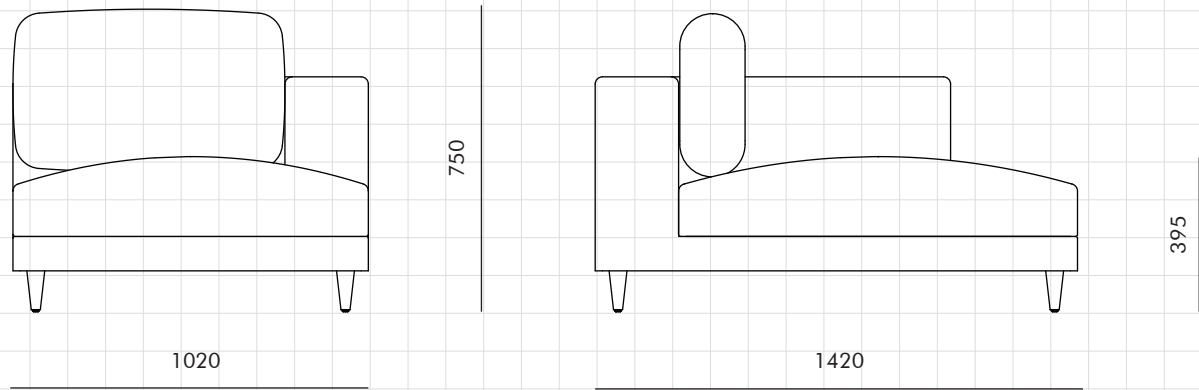


Atelier Small Chaise Lounge R-Leg



CODE

AT-S461-R

DIMENSIONS

W1020 x D1420 x H750mm

Seating height: 395mm

NET WEIGHT

40.0 kg

ENVIRONMENT

Indoor

MATERIALS

Solid wood and plywood frame, upholstery

\*Please refer to website or contact your local representative for complete material swatches.

SHIPPING

<b>Package</b>	Assembled		
<b>Package Qty</b>	1 pcs/box		
<b>Packaging</b>	<b>Measurement (mm)</b>	<b>Volume (cbm)</b>	<b>Gross Weight (kg)</b>
<b>FCL</b>	W1085 x D1485 x H695	1.12	49.70
<b>LCL/AIR</b>	W1105 x D1505 x H790	1.31	69.03