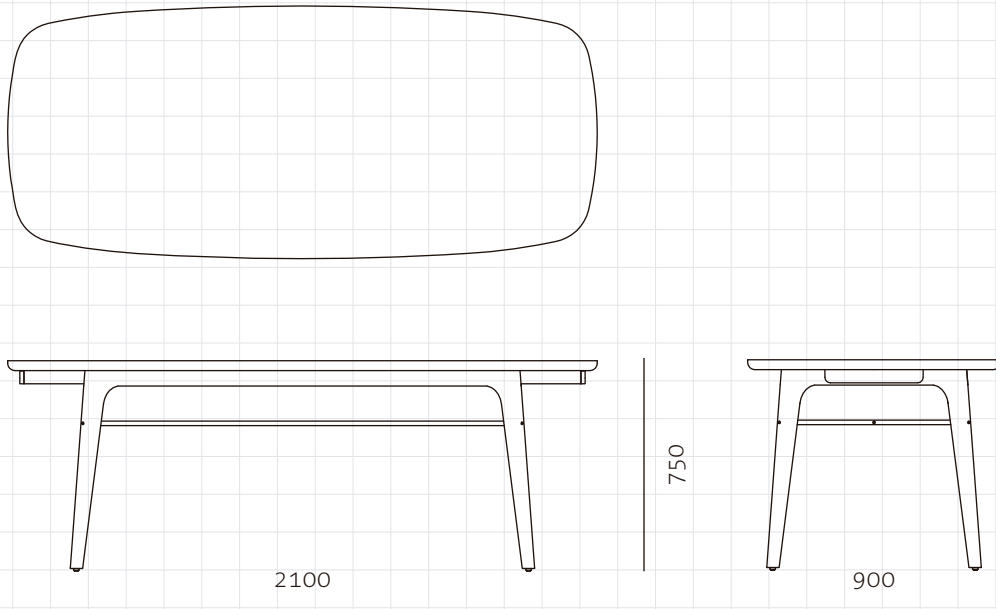


Utility Dining Table W2100



CODE	UT-T410-2100		
DIMENSIONS	W2100 x D900 x H750mm		
NET WEIGHT	62.0 kg		
ENVIRONMENT	Indoor		
MATERIALS	Solid wood legs and drawers, Steel hairline aged gold, veneer laminate top		
	*Please refer to website or contact your local representative for complete material swatches.		
SHIPPING	Package	Knock Down	
	Package Qty	2 pcs/box	
	Packaging	Measurement (mm)	Volume (cbm)
	FCL	W2200 x D1100 x H185	0.45
		W215 x D265 x H765	0.04
	LCL/AIR	W2220 x D1120 x H280	0.70
		W215 x D265 x H765	0.04
			Gross Weight (kg)
			64.66
			8.02
			93.55
			8.68