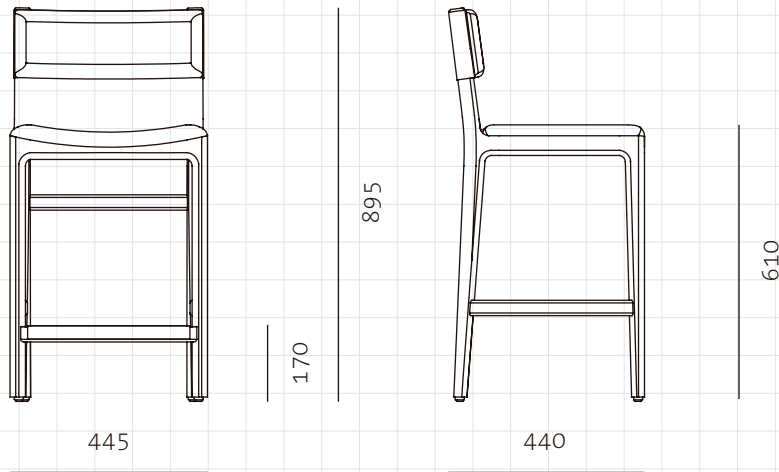


Taylor Bar Chair SH610



CODE
DIMENSIONS

TA-S310-610
W445 x D440 x H895mm
Seating height: 610mm

NET WEIGHT
ENVIRONMENT
MATERIALS

6.0 kg
Indoor
Solid wood frame, upholstery, stainless steel hairline aged gold
*Please refer to website or contact your local representative for complete material swatches.

SHIPPING

Package	Assembled		
Package Qty	1 pcs/box		
Packaging	Measurement (mm)	Volume (cbm)	Gross Weight (kg)
FCL	W600 x D600 x H1000	0.36	12.40
LCL/AIR	W620 x D620 x H1095	0.42	16.87