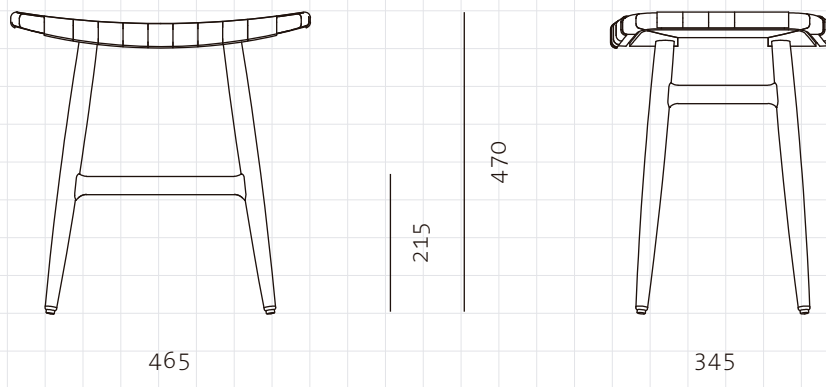


Freja Stool Leather Stripe Seat



CODE DIMENSIONS

FE-S610-LS
W465 x D345 x H470mm
Seating height: 450mm

NET WEIGHT ENVIRONMENT MATERIALS

3.0 kg
Indoor
Solid wood frame, leather seat

*Please refer to website or contact your local representative for complete material swatches.

SHIPPING

Package	Assembled		
Package Qty	1 pcs/box		
Packaging	Measurement (mm)	Volume (cbm)	Gross Weight (kg)
FCL	W530 x D410 x H555	0.12	5.62
LCL/AIR	W570 x D450 x H645	0.17	8.60