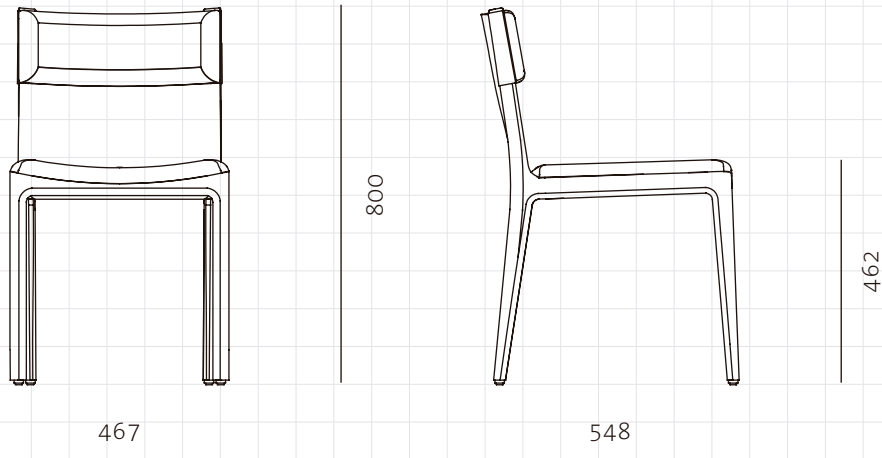


Taylor Dining Chair



CODE DIMENSIONS

TA-S210
W467 x D548 x H800mm
Seating height: 462mm

NET WEIGHT ENVIRONMENT MATERIALS

5.0 kg
Indoor
Solid wood frame, upholstery
*Please refer to website or contact your local representative for complete material swatches.

SHIPPING

Package	Assembled		
Package Qty	1 pcs/box		
Packaging	Measurement (mm)	Volume (cbm)	Gross Weight (kg)
FCL	W600 x D600 x H830	0.30	10.11
LCL/AIR	W620 x D620 x H925	0.36	14.58