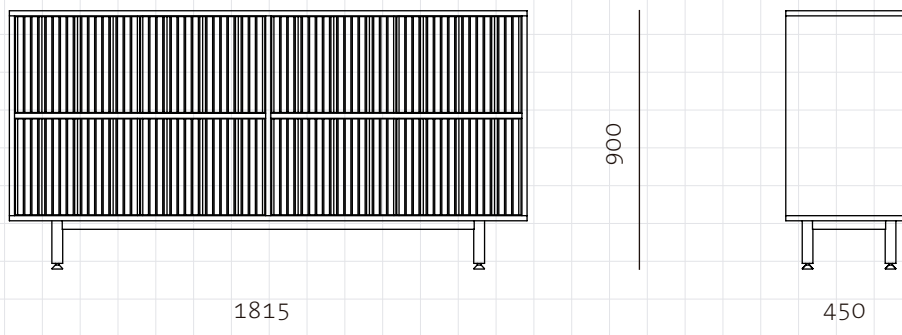


## Seiton Cabinet High



### CODE

SE-C110-H

### DIMENSIONS

W1815 x D450 x H900mm

### NET WEIGHT

67.0 kg

### ENVIRONMENT

Indoor

### MATERIALS

Solid wood with Veneer laminate panels, Steel black powder coat matt

\*Please refer to website or contact your local representative for complete material swatches.

### SHIPPING

<b>Package</b>	Assembled		
<b>Package Qty</b>	1 pcs/box		
<b>Packaging</b>	<b>Measurement (mm)</b>	<b>Volume (cbm)</b>	<b>Gross Weight (kg)</b>
<b>FCL</b>	W1900 x D535 x H985	1.00	77.96
<b>LCL/AIR</b>	W1920 x D555 x H1080	1.15	90.35