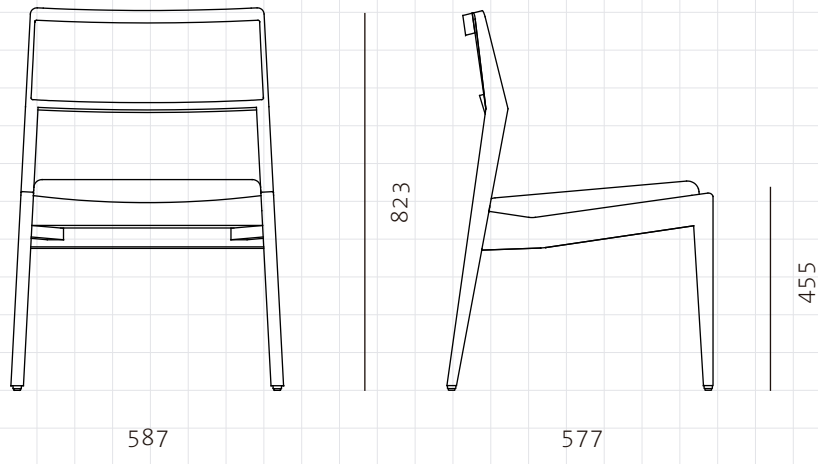


Risom C143 Chair (1955)



CODE

RI-S210-UP

DIMENSIONS

W587 x D577 x H823mm

NET WEIGHT

Seating height: 455mm

ENVIRONMENT

7.6 kg

MATERIALS

Indoor

Solid wood frame, Upholstery

*Please refer to website or contact your local representative for complete material swatches.

SHIPPING

Package	Assembled		
Package Qty	1 pcs/box		
Packaging	Measurement (mm)	Volume (cbm)	Gross Weight (kg)
FCL	W680 x D680 x H870	0.40	13.61
LCL/AIR	W700 x D700 x H965	0.47	19.30