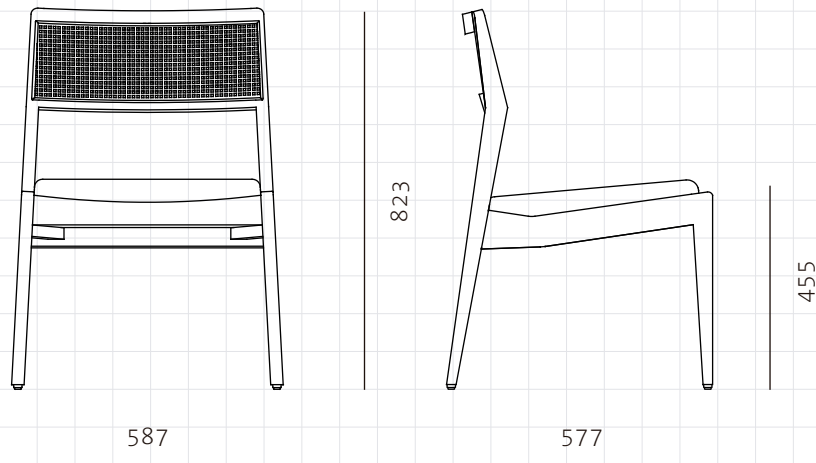


Risom C141 Chair (1955)



CODE
DIMENSIONS

RI-S210-CA
W587 x D577 x H823mm
Seating height: 455mm

NET WEIGHT
ENVIRONMENT
MATERIALS

7.6 kg
Indoor
Solid wood frame, upholstery and cane
*Please refer to website or contact your local representative for complete material swatches.

SHIPPING

Package	Assembled		
Package Qty	1 pcs/box		
Packaging	Measurement (mm)	Volume (cbm)	Gross Weight (kg)
FCL	W680 x D680 x H870	0.40	13.61
LCL/AIR	W700 x D700 x H965	0.47	19.30