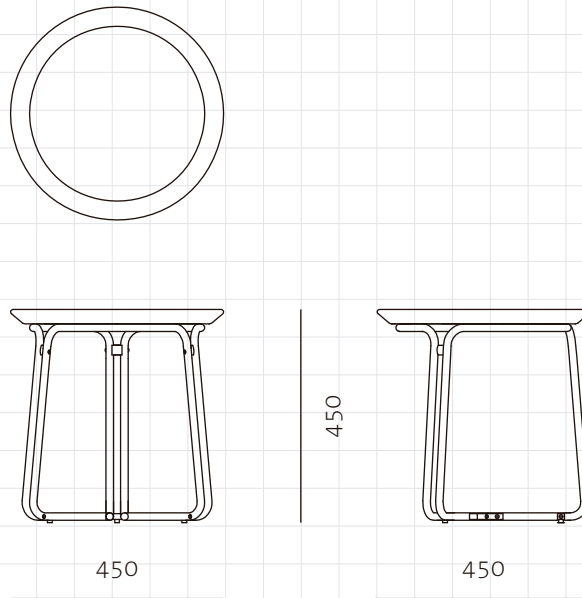


QT Coffee Table C450



**CODE**  
**DIMENSIONS**

QT-T210-450  
C450 x H450mm

**NET WEIGHT**  
**ENVIRONMENT**  
**MATERIALS**

4.0 kg  
Indoor  
Veneer laminate top, stainless steel hairline gold & steel black powder coat matt  
\*Please refer to website or contact your local representative for complete material swatches.

**SHIPPING**

|                    |                         |                     |                          |
|--------------------|-------------------------|---------------------|--------------------------|
| <b>Package</b>     | Assembled               |                     |                          |
| <b>Package Qty</b> | 1 pcs/box               |                     |                          |
| <b>Packaging</b>   | <b>Measurement (mm)</b> | <b>Volume (cbm)</b> | <b>Gross Weight (kg)</b> |
| <b>FCL</b>         | W515 x D515 x H535      | 0.14                | 6.76                     |
| <b>LCL/AIR</b>     | W535 x D535 x H630      | 0.18                | 10.08                    |