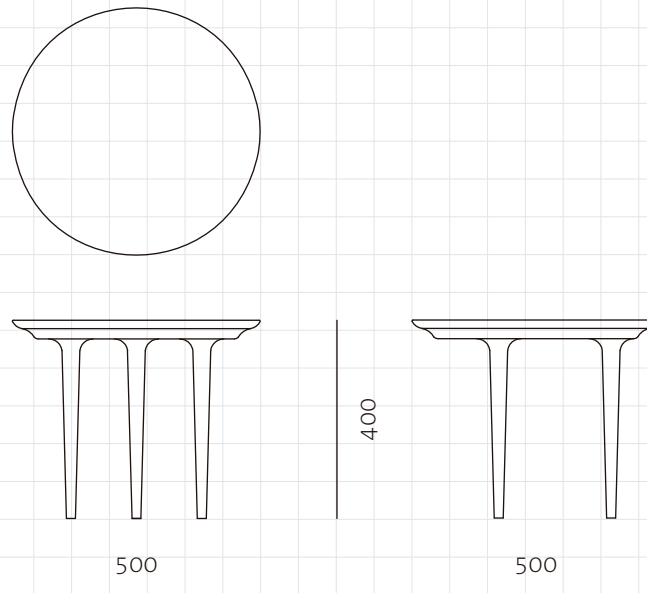


Lunar Side Table



CODE LN-T110-500
DIMENSIONS C500 x H400mm

NET WEIGHT 5.5 kg
ENVIRONMENT Indoor
MATERIALS Solid wood legs, veneer laminate top

*Please refer to website or contact your local representative for complete material swatches.

SHIPPING		Package	Knock Down		
		Package Qty	2 pcs/box		
		Packaging	Measurement (mm)	Volume (cbm)	Gross Weight (kg)
FCL			W580 x D580 x H120	0.04	5.53
			W303 x D115 x H452	0.02	2.96
LCL/AIR			W600 x D600 x H140	0.05	9.71
			W303 x D115 x H452	0.02	3.37