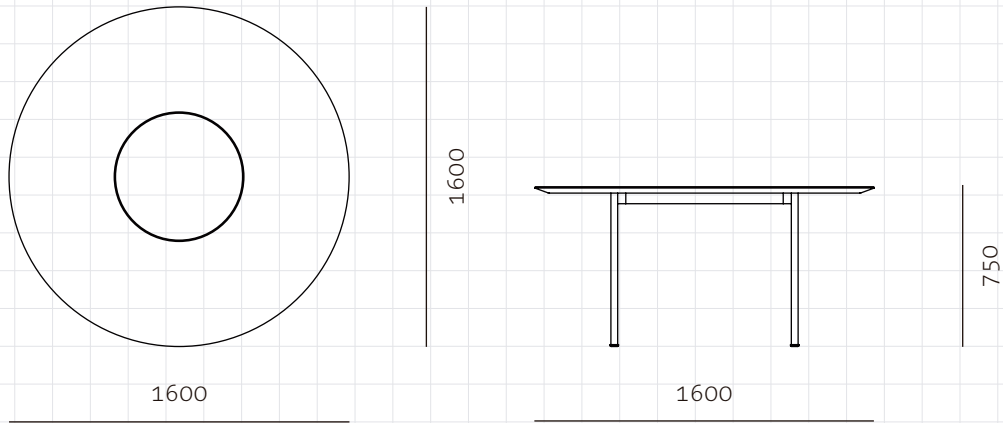


Crawford Dining Table 2 C1600



CODE CR-T420-1600
DIMENSIONS C1600 x H750mm

NET WEIGHT 45.0 kg
ENVIRONMENT Indoor

MATERIALS Steel black powder coat matt, veneer laminate top, stainless steel brass ring
 *Please refer to website or contact your local representative for complete material swatches.

| SHIPPING | Package | Knock Down | | |
|-----------------|--------------------|-------------------------|---------------------|--------------------------|
| | Package Qty | 2 pcs/box | | |
| | Packaging | Measurement (mm) | Volume (cbm) | Gross Weight (kg) |
| FCL | | W1665 x D1665 x H110 | 0.30 | 41.88 |
| | | W785 x D685 x H365 | 0.20 | 14.02 |
| LCL/AIR | | W1705x D1705 x H200 | 0.58 | 75.66 |
| | | W825 x D725 x H455 | 0.27 | 20.97 |