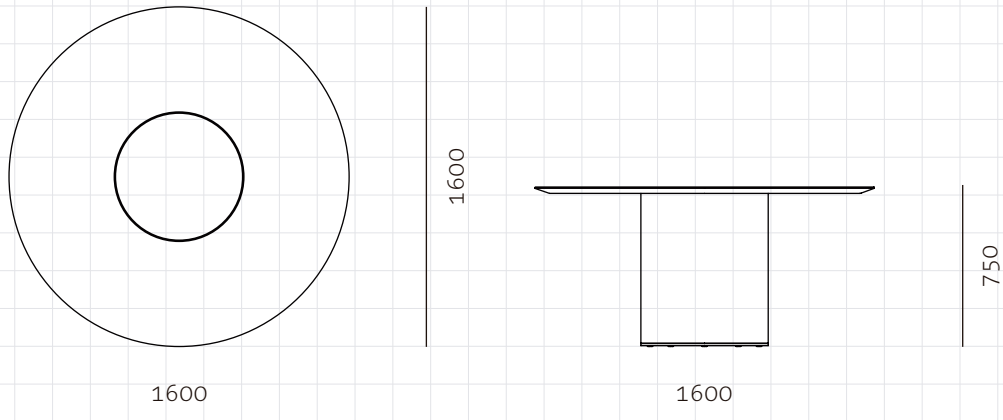


Crawford Dining Table 1 C1600



CODE

CR-T410-1600

DIMENSIONS

C1600 x H750mm

NET WEIGHT

77.0 kg

ENVIRONMENT

Indoor

MATERIALS

Stainless steel hairline brass, steel black powder coat matt, veneer laminate top and base, stainless steel brass ring

*Please refer to website or contact your local representative for complete material swatches.

SHIPPING

Package	Knock Down		
Package Qty	2 pcs/box		
Packaging	Measurement (mm)	Volume (cbm)	Gross Weight (kg)
FCL	W1665 x D1665 x H110	0.30	41.88
	W865 x D865 x H785	0.59	49.81
LCL/AIR	W1705x D1705 x H200	0.58	75.66
	W905 x D905 x H875	0.72	59.32