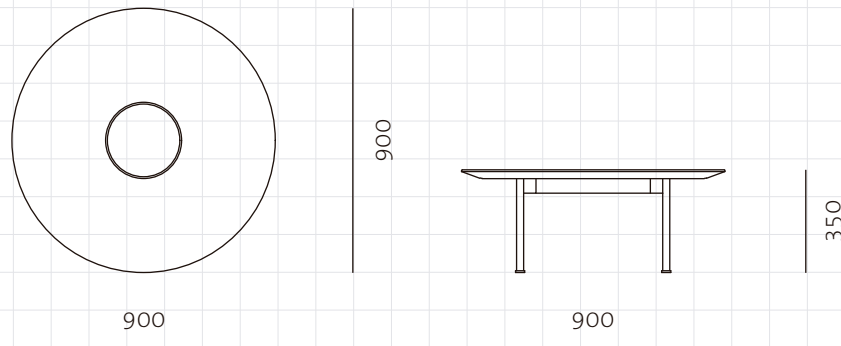


Crawford Coffee Table C900



CODE CR-T210-900
DIMENSIONS C900 x H350mm

NET WEIGHT 15.0 kg
ENVIRONMENT Indoor

MATERIALS Steel black powder coat matt, veneer laminate top, stainless steel brass ring
*Please refer to website or contact your local representative for complete material swatches.

SHIPPING	Package	Assembled		
	Package Qty	1 pcs/box		
	Packaging	Measurement (mm)	Volume (cbm)	Gross Weight (kg)
	FCL	W965 x D965 x H435	0.41	19.90
	LCL/AIR	W1005x D1005 x H525	0.53	31.64