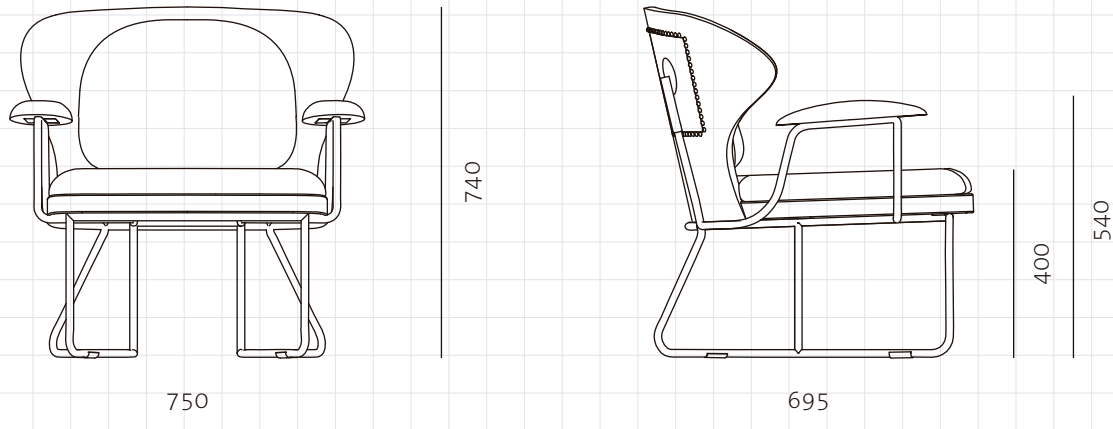


Chillax Lounge Chair



CODE
DIMENSIONS

CH-S131
W750 x D695 x H740mm
Seating height: 400mm

NET WEIGHT
ENVIRONMENT
MATERIALS

21.0 kg
Indoor
Stainless steel hairline gold & steel black powder coat matt, solid wood arm rest, upholstery
*Please refer to website or contact your local representative for complete material swatches.

SHIPPING

Package	Assembled		
Package Qty	1 pcs/box		
Packaging	Measurement (mm)	Volume (cbm)	Gross Weight (kg)
FCL	W815 x D760 x H825	0.51	27.50
LCL/AIR	W835 x D780 x H920	0.60	35.07