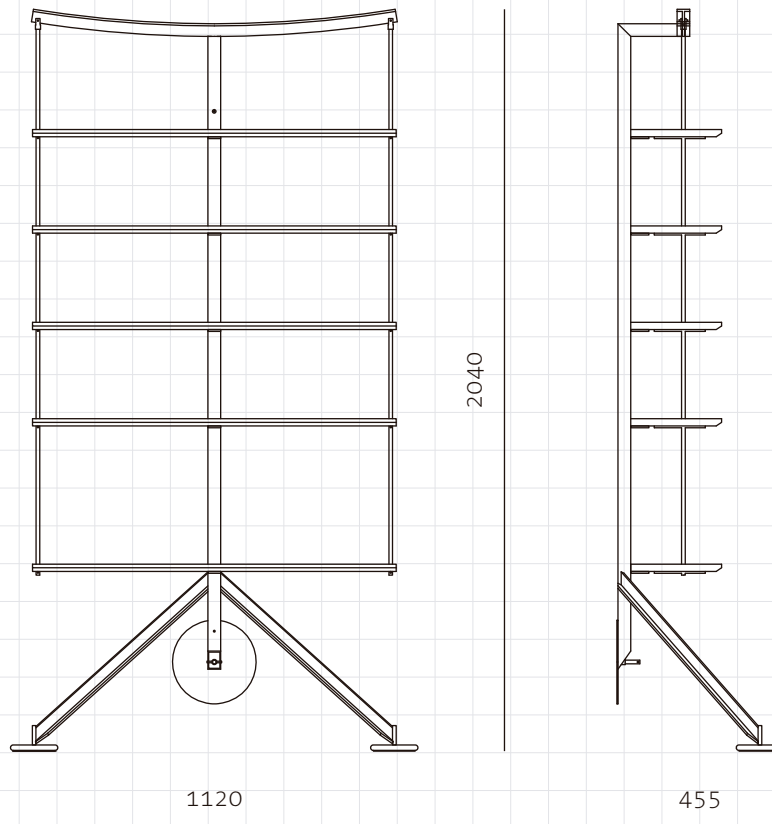


Ran Library (1982)



CODE

CF-SF110

DIMENSIONS

W1120 x D455 x H2040mm

NET WEIGHT

37.0 kg

ENVIRONMENT

Indoor

MATERIALS

Steel black powder coat matt, veneer laminate shelves

*Please refer to website or contact your local representative for complete material swatches.

SHIPPING

Package	Assembled		
Package Qty	1 pcs/box		
Packaging	Measurement (mm)	Volume (cbm)	Gross Weight (kg)
FCL	W2125 x D1205 x H560	1.43	48.85
LCL/AIR	W2145 x D1225 x H655	1.72	79.38