

BRIGHTLINER

DESIGNED BY AVRO|KO CRAFTED BY STELLAR WORKS

A woman with long brown hair and a nose ring, wearing a floral dress and several rings, is sitting in a green leather chair. She is leaning her head on her hand, looking towards the camera. To her left is a white table with a gold shaker, a glass of amber liquid, and a blue glass sculpture. Another person in a silver dress is partially visible on the left. The background is dark with some bookshelves.

BRIGHTLINER

Brightliner was established in 2018 to create high-design solutions for hospitable spaces. Designed and manufactured in collaboration with AvroKO and Stellar Works, Brightliner solves challenges that pop up in hospitality spaces every single day while maintaining a strong sense of style and sensibility.



Hello,

For the Brightliner Collection, AvroKO looked to its New York roots to design a collection that spoke to the quintessential nature of all New Yorkers, style.

Inspired by the iconic Brightliner subway car, this collection is an ode to the underground heartbeat of the city, its history, and the people who make it great.

We hope you enjoy,

Greg, Kristina, Adam and William

BRIGHTLINER
SLOANE ARM CHAIR



Description

The *Sloane Arm Chair* is our iconic dining chair. Originally produced for some of the most revered dining experiences, this chair has comfortable sloped arms that slip under table tops and provides a feeling of security and luxury.

Materials

Selection Available Upon Request
As shown on left : Solid Walnut, Light Grey Wool Woven Fabric with Natural Bronze and Black Leather accents

As shown above : Solid Walnut, Blue Grey Wool Woven Fabric with Natural Bronze and Dark Brown Leather accents

Specification

30 1/2" (775mm) overall height
23 1/2" (597mm) overall width
24 1/2" (622mm) overall depth

Additional Information

Tearsheet Available Upon Request



BRIGHTLINER SLOANE CHAIR

Description

The *Sloane Chair* is the sleek sister to our *Sloane Arm Chair*. It retains all the beauty of the original chair without the fully enclosed arm.

Materials

Selection Available Upon Request

Shown at Right : Solid Oak, Light Grey Wool Woven Fabric with Natural Bronze and Light Brown Leather accents

Shown at Far Right : Solid Oak, Light Grey Wool Woven Fabric with Natural Bronze and Light Brown Leather Accents

Specifications

30 1/2" (775mm) overall height

22" (559mm) overall width

24 1/2" (622mm) overall depth

Additional Information

Tearsheet Available Upon Request





BRIGHTLINER ALVA SOFA



Description

The *Alva Sofa* is all of our favorite things about a couch in one piece. It is both chic and satisfying with a high level of detail that will stand out in any room.

Materials

Selection Available Upon Request
As shown on left : Solid Walnut with Purple Wool Woven Fabric, Bronze and Black Leather Details

As shown above : Solid Walnut, with Blue Wool Woven Fabric, Bronze and Black Leather Details

Specification

27 1/2" (698mm) overall height
71" (1803mm) overall width
31" (787mm) overall depth

Additional Information

Tearsheet Available Upon Request

BRIGHTLINER

ALVA CLUB CHAIR

Description

The *Alva Club Chair* is the apple of our eye. Its striking form and unique details make it a stunner.

The linear tufted back is finished with cast hexagonal metal tufting buttons, a signature of this special piece.

Materials

Selection Available Upon Request

As shown far right : Solid Oak, Light Grey Woven Fabric with Bronze accents

As shown on right : Solid Walnut, Black Leather with Bronze accents

Specifications

27 1/2" (699mm) overall height

28 1/2" (724mm) overall width

31" (787mm) overall depth

Additional Information

Tearsheet Available Upon Request





BRIGHTLINER
ALVA OTTOMAN



Description

The *Alva Ottoman* is the perfect companion to our *Alva Club Chair*.

The cushion nestles between two shapely legs. It is a showcase for the craftsmanship and detail we love.

Materials

Selection Available Upon Request

As shown far left : Solid Walnut, and Green Leather with Brown Leather Accents

As shown above : Solid Walnut and Black Leather

Specifications

16 1/2" (419mm) overall height

24" (610mm) overall width

18" (457mm) overall depth

Additional Information

Tearsheet Available Upon Request



BRIGHTLINER

BOYD CHAIR

Description

The *Boyd Chair* is our answer to the perfect petite dining chair.

It has the signature styling of our fully upholstered pieces, with a smaller footprint.

Materials

Selection Available Upon Request

As shown : Solid Walnut, Black Leather with Bronze accents

Specifications

30 1/2" (775mm) overall height

23 1/2" (597mm) overall width

24 1/2" (622mm) overall depth

Additional Information

Tearsheet Available Upon Request





BRIGHTLINER BOYD BAR STOOL



Description

The *Boyd Bar Stool* is striking, sturdy and comfortable. The wrapped back and soft upholstered seat encourages hours of cocktail sipping.

Materials

Selection Available Upon Request
As shown far left : Solid Walnut, Black Leather with Bronze accents
As shown above : Solid Oak, Purple Woven Fabric and Bronze accents

Specifications

37 1/2" (953mm) overall height
17 1/2" (445mm) overall width
19 1/2" (495mm) overall depth

Additional Information

Tearsheet Available Upon Request

BRIGHTLINER

LENOX DINING TABLE

Description

The *Lenox Dining Table* is distinct and handsome. With solid walnut legs and an end grain and brass inset on the top, this table is a stunning centerpiece to any room.

Materials

Selection Available Upon Request

As shown : Walnut Veneer with Solid Walnut Edge and Bronze accents

Specifications

30" (762mm) overall height

83" (2100mm) overall width

36" (915mm) overall depth

Additional Information

Tearsheet Available Upon Request





BRIGHTLINER
DORCY COFFEE TABLE



Description

The *Dorcy Coffee Table* is an ovular stone table sitting low and sleek atop a stone and bronze base. Chamfered details on the legs and top lend a unique and refined look.

Materials

Selection Available Upon Request
As shown : White Stone, and Bronze

Specifications

15 1/2" (394mm) overall height
43 1/2" (1105mm) overall width
30" (762mm) overall depth

Additional Information

Tearsheet Available Upon Request

BRIGHTLINER

TABLE TOPS

Description

With AvroKO's extensive hospitality experience we know how crucial it is to have flexibility and style when it comes to table tops. We offer a variety of sizes and finishes as well as combinations of finishes, including two tone wood tops, specialty leather, and metal tops.

Materials

Selection Available Upon Request

As shown far right : Walnut Veneer, Solid Ebony Edge Detail

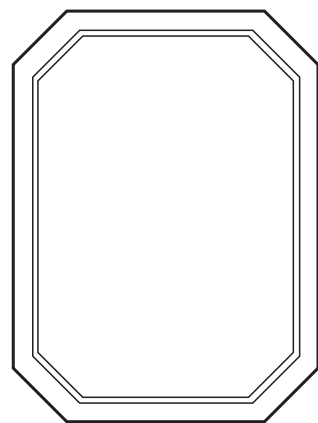
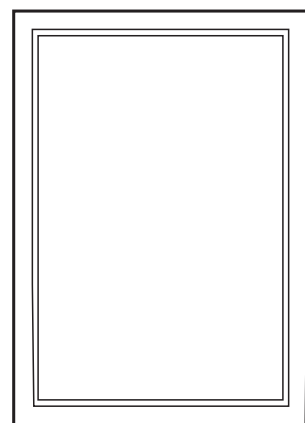
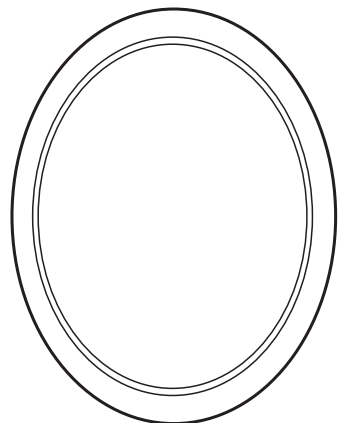
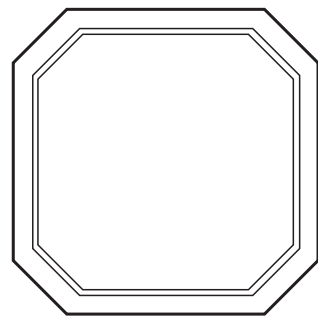
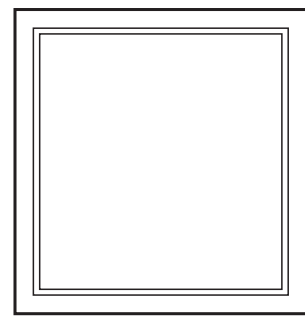
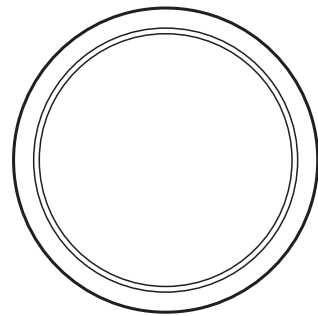
Specifications

Standard Sized Collection Available

Custom Sizes are Possible upon Request

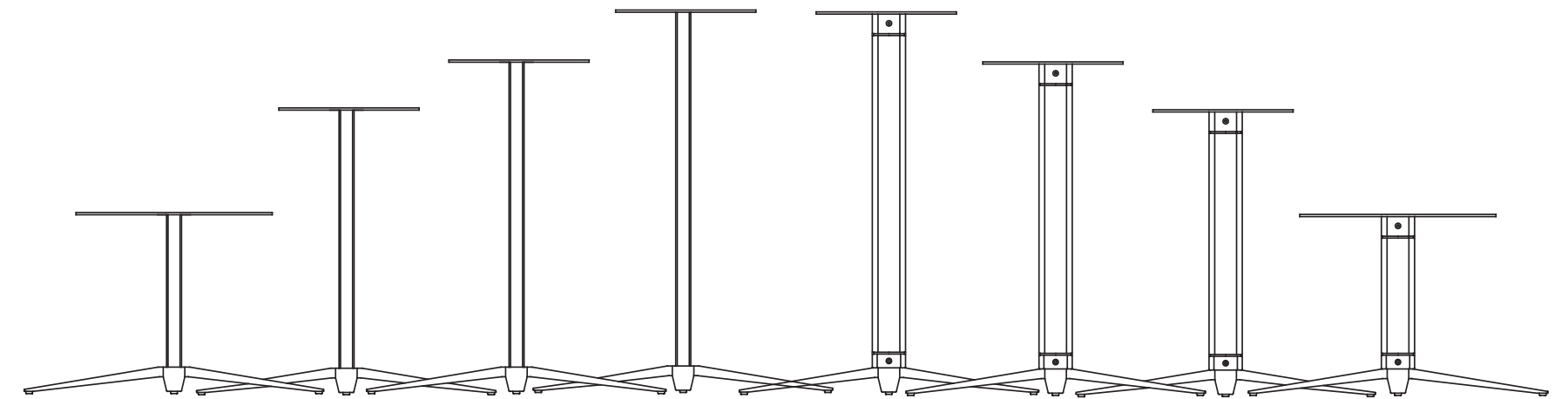
Additional Information

Tearsheet Available Upon Request





BRIGHTLINER TABLE BASES



Description

Our table base series includes a standard metal post selection in addition to wood clad options.

We offer all of our base styles and finishes in different heights and diameters to ensure they function well with all table top types.

Materials

Selection Available Upon Request

As shown far left : Walnut Clad Post on Bronze Base

As shown Above : Far Left to Middle - Metal only Base Profiles, Far Right to Middle - Wood Clad Profiles

Stone Clad Profiles also available

Specifications

Standard Sized Collection Available

Custom Sizes are Possible upon Request

Additional Information

Tearsheet Available Upon Request

BRIGHTLINER

ASTOR CHANDELIER

Description

The Astor Chandelier is the star of the show. With just a hint of moderne style, she has a central pendant an elegant ring and illuminated shades. The hand blown glass, available in Opal, Aqua, and Amber encases prismatic diffusers and integrated LED lighting.

Materials

Selection Available Upon Request

As shown : Amber Glass, Prismatic Acrylic, Natural Bronze

As shown at Right : Aqua Glass, Prismatic Acrylic, Natural Bronze

Specifications

48" (762mm) overall height *

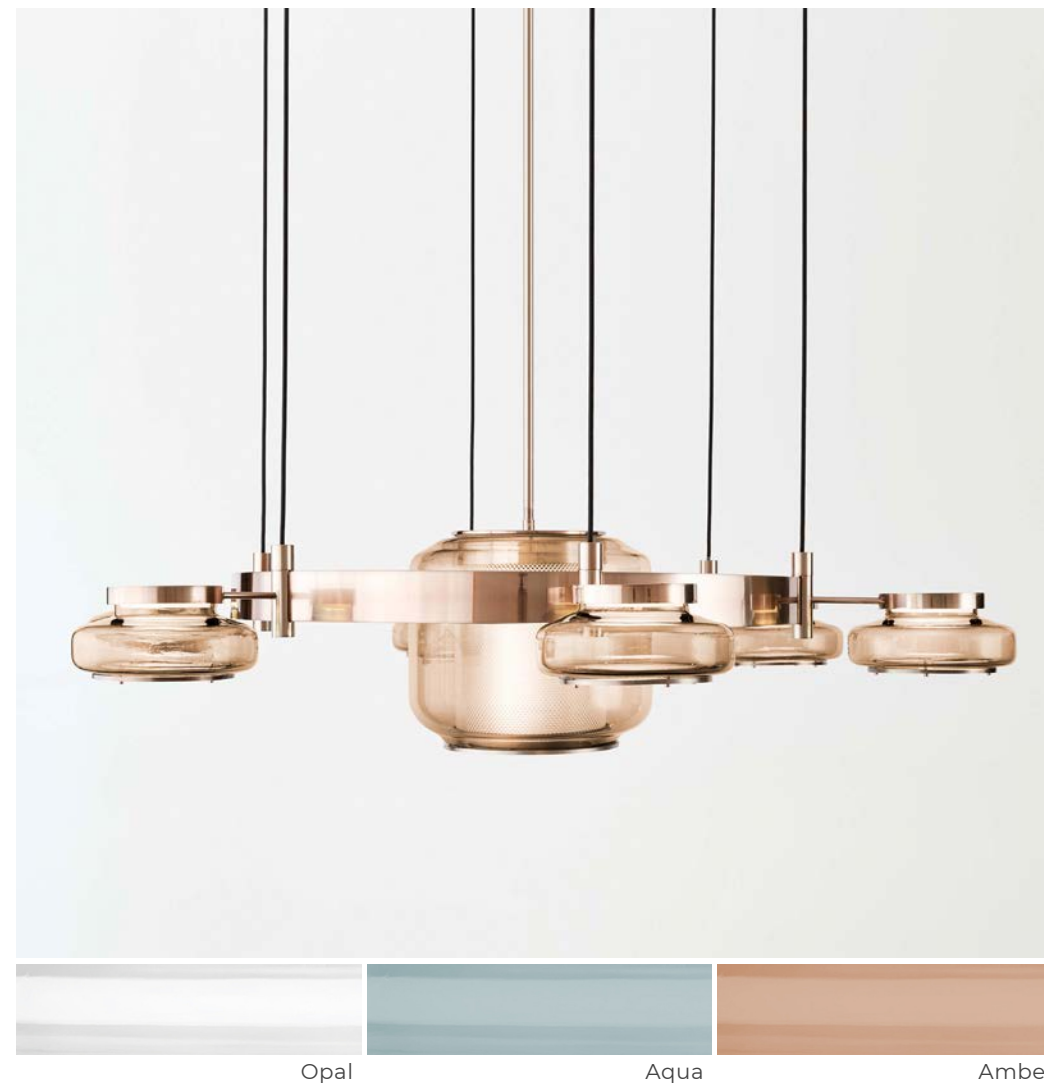
83" (2100mm) overall width

36" (915mm) overall depth

Custom Heights Available Upon Request

Additional Information

Tearsheet Available Upon Request





BRIGHTLINER ASTOR PENDANT



Description

The Astor Pendant is a simple piece with statement style.

The hand blown glass, available in Opal, Aqua, and Amber encases prismatic diffusers and integrated LED lamping.

Materials

Selection Available Upon Request

As shown : Aqua Glass, Prismatic Acrylic, Natural Bronze

Specifications

48" (762mm) overall height *

15" (380mm) overall diameter

15" (380mm) fixture height

Custom Heights Available Upon Request

Additional Information

Tearsheet Available Upon Request

BRIGHTLINER

ASTOR SCONCE

Description

The Astor Sconce has a classic round form made up of a unique combination of cast glass with a portal style metal trim detail and a prismatic diffuser at the center with integrated LED lighting. The glass is available in Opal, Blue Green, and Amber.

Materials

Selection Available Upon Request

*As shown : Aqua Glass, Prismatic Acrylic,
Natural Bronze*

Specifications

9 1/2" (762mm) diameter *

3 1/2" (381mm) projection

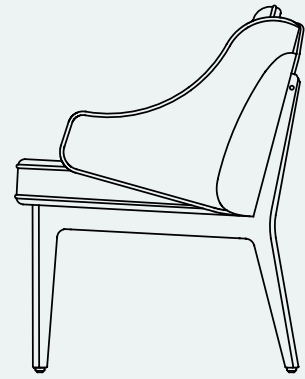
Custom Heights Available Upon Request

Additional Information

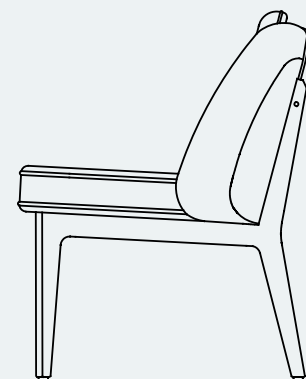
Tearsheet Available Upon Request



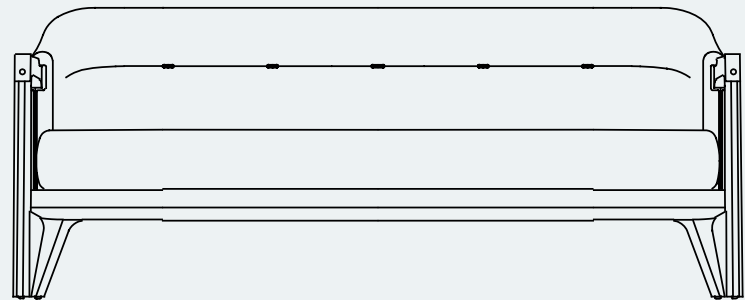
INDEX



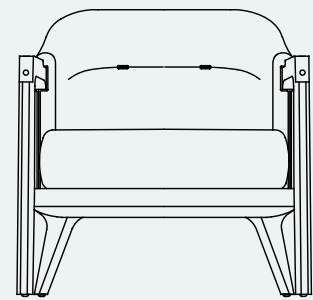
SLOANE ARM CHAIR
p. 06-07



SLOANE CHAIR
p. 08-09



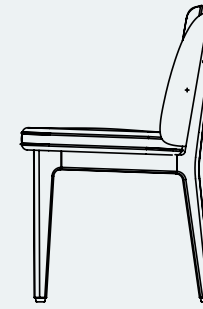
ALVA SOFA
p. 10-11



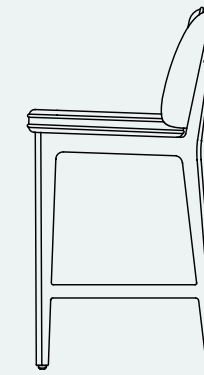
ALVA CLUB CHAIR
p. 12-13



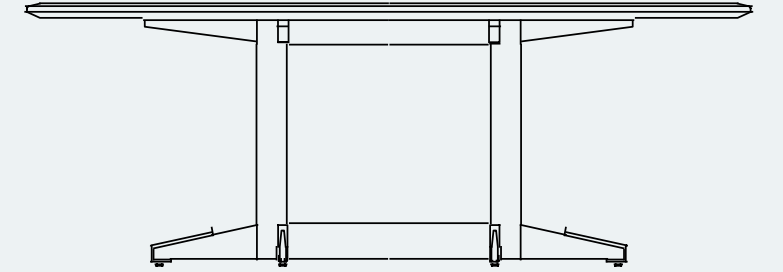
ALVA OTTOMAN
p. 14-15



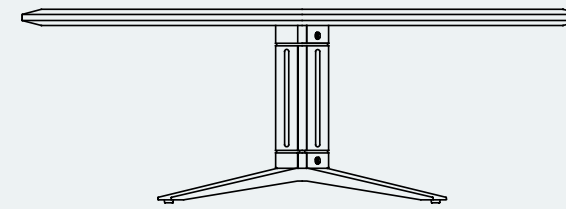
BOYD CHAIR
p. 18-19



BOYD STOOL
p. 20-21



LENOX DINING TABLE
p. 22-23



DORCY COFFEE TABLE
p. 24-25

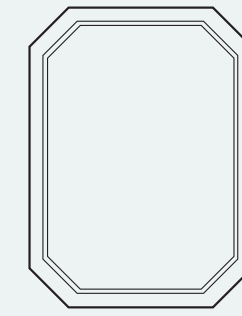


TABLE TOPS
p. 26-27

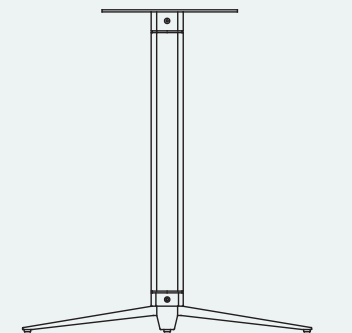
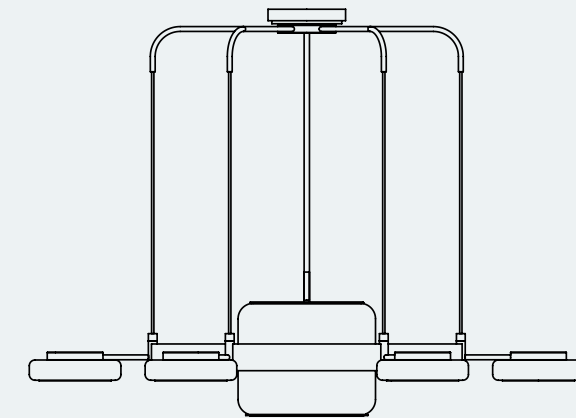
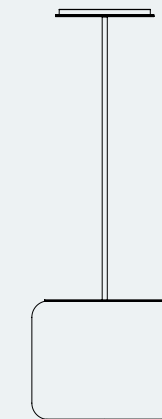


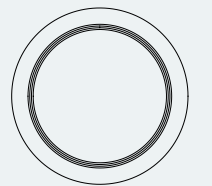
TABLE BASES
p. 28-29



ASTOR CHANDELIER
p. 30-31



ASTOR PENDANT
p. 32-33



ASTOR SCONCE
p. 34-35



© 2020 BRIGHTLINER

brightlinernyc.com
info@brightlinernyc.com