



STELLAR WORKS

Collaboration

PRICE LIST 2024 (JPY)

VERSION 1.0

表示価格は税抜価格となります

CONTENTS

BRIGHTLINER by AvroKO, Meyer Davis	3
LAVAL by OEO Studio	21
VALET by David Rockwell	32
WILLIAM GRAY by Meyer Davis	46

Alva Club Chair

by AvroKO



BR-S111

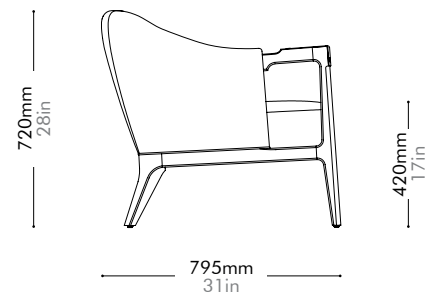
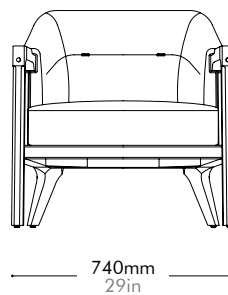
Materials	Solid wood frame, upholstery, stainless steel hairline gold	
Dimensions	W740 x D795 x H720mm; SH: 420mm W29" x D31" x H28"; SH: 17"	
Weight	22.0kg 49lb	
Upholstery	3.9M 77.0SF	
Shipping Volume	0.56CBM	
Pkg Dimensions	FCL	W805 x D860 x H805mm; 28.70kg W32" x D34" x H32"; 63lb
	LCL/AIR	W845 x D900 x H895mm; 37.54kg W33" x D35" x H35"; 83lb

Oak Lead time: 10-12 weeks

COM/COL		¥323,000
Fabric	C	¥323,000
	B	¥400,000
	A	¥428,000
Leather	C	¥423,000
	B	¥512,000
	A	¥596,000
PU Leather		¥323,000

Walnut Lead time: 10-12 weeks

COM/COL		¥402,000
Fabric	C	¥402,000
	B	¥480,000
	A	¥507,000
Leather	C	¥502,000
	B	¥592,000
	A	¥676,000
PU Leather		¥402,000



Alva Sofa

by AvroKO



BR-S421

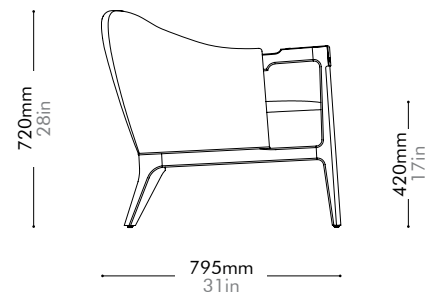
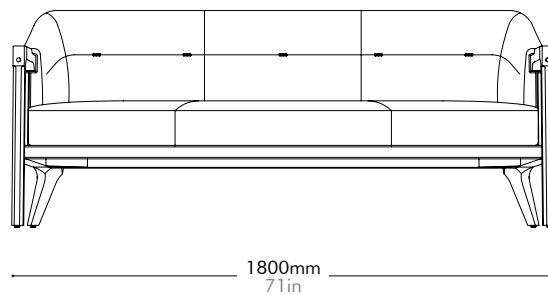
Materials	Solid wood frame, upholstery, stainless steel hairline gold		
Dimensions	W1800 x D795 x H720mm; SH: 420mm W71" x D31" x H28"; SH: 17"		
Weight	60.0kg 132lb		
Upholstery	6.6M 154.0SF		
Shipping Volume	1.37CBM		
Pkg Dimensions	FCL	W1885 x D880 x H825mm; 71.55kg W74" x D35" x H32"; 158lb	
	LCL/AIR	W1925 x D920 x H915mm; 92.13kg W76" x D36" x H36"; 203lb	

Oak Lead time: 10-12 weeks

COM/COL		¥612,000
Fabric	C	¥612,000
	B	¥767,000
	A	¥822,000
Leather	C	¥858,000
	B	¥1,067,000
	A	¥1,263,000
PU Leather		¥612,000

Walnut Lead time: 10-12 weeks

COM/COL		¥621,000
Fabric	C	¥621,000
	B	¥776,000
	A	¥830,000
Leather	C	¥867,000
	B	¥1,076,000
	A	¥1,271,000
PU Leather		¥621,000



Alva Ottoman

by AvroKO



BR-S510

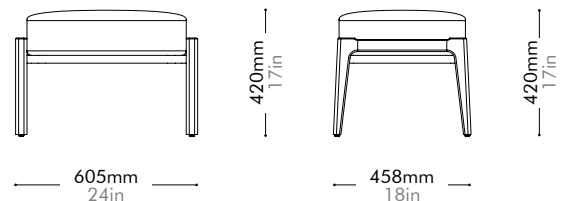
Materials	Solid wood frame, upholstery		
Dimensions	W605 x D458 x H420mm; SH: 420mm W24" x D18" x H17"; SH: 17"		
Weight	5.0kg 11lb		
Upholstery	1.1M 19.0SF		
Shipping Volume	0.18CBM		
Pkg Dimensions	FCL	W670 x D523 x H505mm; 8.02kg W26" x D21" x H20"; 18lb	
	LCL/AIR	W710 x D563 x H595mm; 12.66kg W28" x D22" x H23"; 28lb	

Oak Lead time: 10-12 weeks

COM/COL		¥133,000
Fabric	C	¥133,000
	B	¥156,000
	A	¥163,000
Leather	C	¥156,000
	B	¥178,000
	A	¥198,000
PU Leather		¥133,000

Walnut Lead time: 10-12 weeks

COM/COL		¥158,000
Fabric	C	¥158,000
	B	¥180,000
	A	¥188,000
Leather	C	¥180,000
	B	¥202,000
	A	¥223,000
PU Leather		¥158,000



Boyd Chair by AvroKO

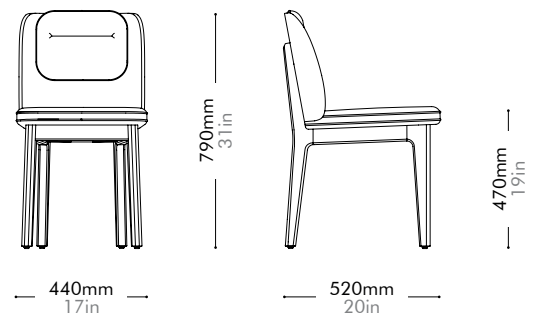


BR-S220

Materials	Solid wood frame, upholstery, stainless steel hairline gold		
Dimensions	W440 x D520 x H790mm; SH: 470mm W17" x D20" x H31"; SH: 19"		
Weight	7.0kg 15lb		
Upholstery	1.1M 20.0SF		
Shipping Volume	0.26CBM		
Pkg Dimensions	FCL	W505 x D585 x H875mm; 12.04kg W20" x D23" x H34"; 27lb	
	LCL/AIR	W545 x D625 x H965mm; 16.00kg W21" x D25" x H38"; 35lb	

Oak		Lead time: 10-12 weeks
COM/COL		¥175,000
Fabric	C	¥175,000
	B	¥195,000
	A	¥203,000
Leather	C	¥194,000
	B	¥213,000
	A	¥231,000
PU Leather		¥175,000

Walnut		Lead time: 10-12 weeks
COM/COL		¥207,000
Fabric	C	¥207,000
	B	¥227,000
	A	¥234,000
Leather	C	¥226,000
	B	¥245,000
	A	¥263,000
PU Leather		¥207,000



Boyd Counter Stool SH610

by AvroKO



BR-S310-610

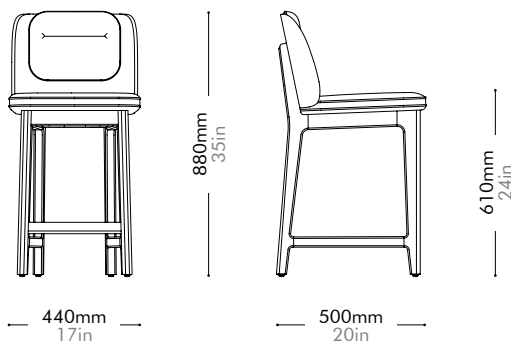
Materials	Solid wood frame, upholstery, stainless steel hairline gold		
Dimensions	W440 x D500 x H880mm; SH: 610mm W17" x D20" x H35"; SH: 24"		
Weight	9.0kg 20lb		
Upholstery	1.1M 20.OSF		
Shipping Volume	0.28CBM		
Pkg Dimensions	FCL	W505 x D565 x H965mm; 14.62kg W20" x D22" x H38"; 32lb	
	LCL/AIR	W545 x D605 x H1055mm; 18.45kg W21" x D24" x H42"; 41lb	

Oak Lead time: 10-12 weeks

COM/COL		¥215,000
Fabric	C	¥215,000
	B	¥237,000
	A	¥245,000
Leather	C	¥240,000
	B	¥264,000
	A	¥285,000
PU Leather		¥215,000

Walnut Lead time: 10-12 weeks

COM/COL		¥266,000
Fabric	C	¥266,000
	B	¥288,000
	A	¥296,000
Leather	C	¥291,000
	B	¥315,000
	A	¥337,000
PU Leather		¥266,000



表示価格は税抜価格となります。

Boyd Bar Stool SH760

by AvroKO

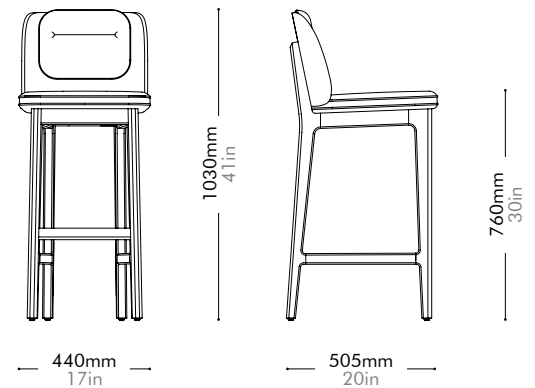


BR-S310-760

Materials	Solid wood frame, upholstery, stainless steel hairline gold		
Dimensions	W440 x D505 x H1030mm; SH: 760mm W17" x D20" x H41"; SH: 30"		
Weight	9.5kg 21lb		
Upholstery	1.1M 20.0SF		
Shipping Volume	0.32CBM		
Pkg Dimensions	FCL	W505 x D570 x H1115mm; 16.32kg W20" x D22" x H44"; 36lb	
	LCL/AIR	W545 x D610 x H1205mm; 20.19kg W21" x D24" x H47"; 45lb	

Oak		Lead time: 10-12 weeks
COM/COL		¥218,000
Fabric	C	¥218,000
	B	¥240,000
	A	¥248,000
Leather	C	¥244,000
	B	¥267,000
	A	¥288,000
PU Leather		¥218,000

Walnut		Lead time: 10-12 weeks
COM/COL		¥271,000
Fabric	C	¥271,000
	B	¥293,000
	A	¥301,000
Leather	C	¥296,000
	B	¥320,000
	A	¥341,000
PU Leather		¥271,000



Sloane Chair

by AvroKO

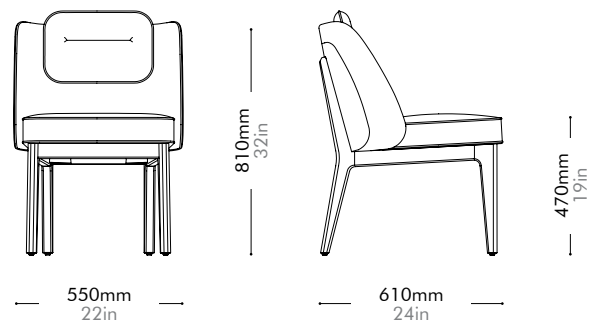


BR-S210

Materials	Solid wood frame, upholstery, stainless steel hairline gold	
Dimensions	W550 x D610 x H810mm; SH: 470mm W22" x D24" x H32"; SH: 19"	
Weight	12.5kg 28lb	
Upholstery	2.0M 35.0SF	
Shipping Volume	0.37CBM	
Pkg Dimensions	FCL	W615 x D675 x H895mm; 18.43kg W24" x D27" x H35"; 41lb
	LCL/AIR	W655 x D715 x H985mm; 23.87kg W26" x D28" x H39"; 53lb

Oak		Lead time: 10-12 weeks
COM/COL		¥214,000
Fabric	C	¥214,000
	B	¥263,000
	A	¥280,000
Leather	C	¥256,000
	B	¥298,000
	A	¥338,000
PU Leather		¥214,000

Walnut		Lead time: 10-12 weeks
COM/COL		¥249,000
Fabric	C	¥249,000
	B	¥298,000
	A	¥315,000
Leather	C	¥291,000
	B	¥333,000
	A	¥372,000
PU Leather		¥249,000



Sloane Arm Chair by AvroKO



BR-S211

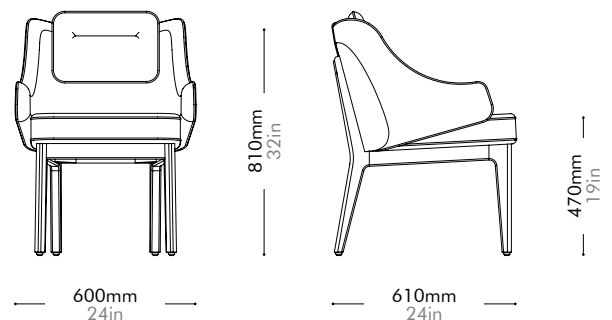
Materials	Solid wood frame, upholstery, stainless steel hairline gold		
Dimensions	W600 x D610 x H810mm; SH: 470mm W24" x D24" x H32"; SH: 19"		
Weight	13.5kg 30lb		
Upholstery	2.5M 45.0SF		
Shipping Volume	0.40CBM		
Pkg Dimensions	FCL	W665 x D675 x H895mm; 19.62kg W26" x D27" x H35"; 43lb	
	LCL/AIR	W705 x D715 x H985mm; 25.48kg W28" x D28" x H39"; 56lb	

Oak Lead time: 10-12 weeks

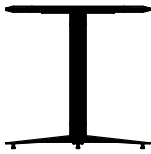
COM/COL		¥229,000
Fabric	C	¥229,000
	B	¥274,000
	A	¥290,000
Leather	C	¥283,000
	B	¥331,000
	A	¥377,000
PU Leather		¥229,000

Walnut Lead time: 10-12 weeks

COM/COL		¥274,000
Fabric	C	¥274,000
	B	¥319,000
	A	¥335,000
Leather	C	¥328,000
	B	¥376,000
	A	¥422,000
PU Leather		¥274,000



Boyd Dining Table R760 - Wood Top by AvroKO

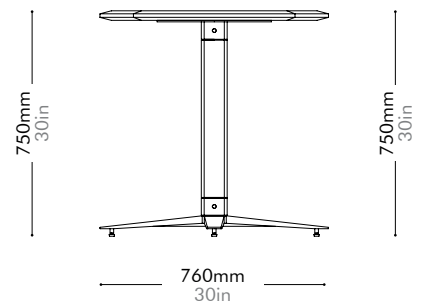
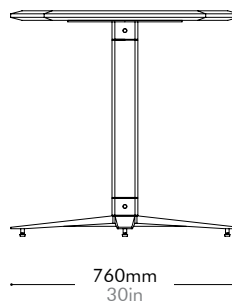


BR-T420-R760-WD

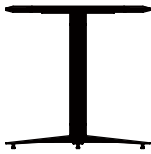
Materials	Wood veneer top, stainless steel hairline gold, solid wood clad		
Dimensions	W760 x D760 x H750mm W30" x D30" x H30"		
Weight	19.0kg 42lb		
Upholstery			
Shipping Volume	0.57CBM		
Pkg Dimensions	FCL	W825 x D825 x H835mm; 25.89kg W32" x D32" x H33"; 57lb	
	LCL/AIR	W865 x D865 x H925mm; 34.58kg W34" x D34" x H36"; 76lb	

Oak Lead time: 10-12 weeks
¥228,000

Walnut Lead time: 10-12 weeks
¥273,000



Boyd Dining Table R760 - Stone Top by AvroKO

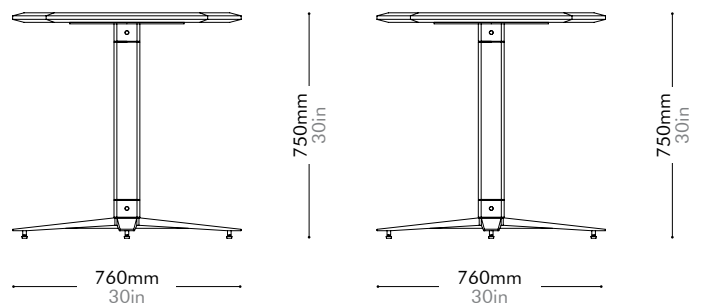


BR-T420-R760-ST

Materials	Stone top in matte paint surface, stainless steel hairline gold, solid wood clad		
Dimensions	W760 x D760 x H750mm W30" x D30" x H30"		
Weight	34.0kg 75lb		
Upholstery			
Shipping Volume	0.16+0.55CBM		
Pkg Dimensions	FCL	W855 x D855 x H220mm; 34.33kg W34" x D34" x H9"; 76lb	
		W825 x D825 x H805mm; 18.64kg W32" x D32" x H32"; 41lb	
Pkg Dimensions	LCL/AIR	855 x D855 x H220mm; 34.33kg W34" x D34" x H9"; 76lb	
		W865 x D865 x H895mm; 27.34kg W34" x D34" x H35"; 60lb	

Lead time: 10-12 weeks

Stone B	¥634,000
Stone A	¥812,000



Boyd Dining Table S760 - Wood Top by AvroKO



BR-T420-S760-WD

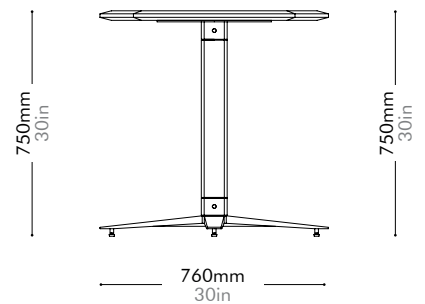
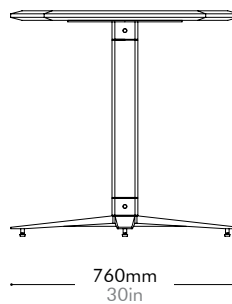
Materials	Wood veneer top, stainless steel hairline gold, solid wood clad		
Dimensions	W760 x D760 x H750mm W30" x D30" x H30"		
Weight	21.0kg 46lb		
Upholstery			
Shipping Volume	0.57CBM		
Pkg Dimensions	FCL	W825 x D825 x H835mm; 27.89kg W32" x D32" x H33"; 61lb	
	LCL/AIR	W865 x D865 x H925mm; 36.58kg W34" x D34" x H36"; 81lb	

Oak Lead time: 10-12 weeks

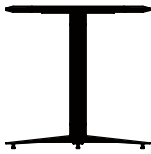
¥221,000

Walnut Lead time: 10-12 weeks

¥251,000



Boyd Dining Table S760 - Stone Top by AvroKO

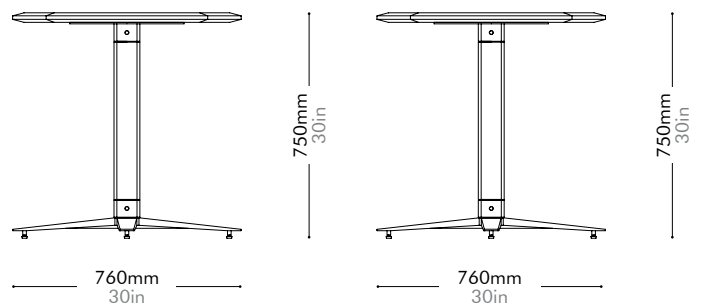


BR-T420-S760-ST

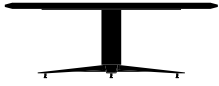
Materials	Stone top in matte paint surface, stainless steel hairline gold, solid wood clad		
Dimensions	W760 x D760 x H750mm W30" x D30" x H30"		
Weight	39.0kg 86lb		
Upholstery			
Shipping Volume	0.16+0.55CBM		
Pkg Dimensions	FCL	W855 x D855 x H220mm; 39.33kg W34" x D34" x H9"; 87lb	
		W825 x D825 x H805mm; 18.64kg W32" x D32" x H32"; 41lb	
	LCL/AIR	855 x D855 x H220mm; 39.33kg W34" x D34" x H9"; 87lb	
		W865 x D865 x H895mm; 27.34kg W34" x D34" x H35"; 60lb	

Lead time: 10-12 weeks

Stone B	¥610,000
Stone A	¥788,000



Dorcy Coffee Table - Stone Top by AvroKO

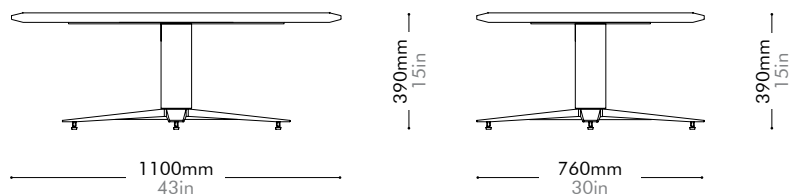


BR-T210-1100-ST

Materials	Stone top in matte paint surface, stainless steel hairline gold, solid wood clad		
Dimensions	W1100 x D760 x H390mm W43" x D30" x H15"		
Weight	47.0kg 104lb		
Upholstery			
Shipping Volume	0.22+0.30CBM		
Pkg Dimensions	FCL	W1195 x D855 x H220mm; 48.49kg W47" x D34" x H9"; 107lb	
		W825 x D825 x H445mm; 19.03kg W32" x D32" x H18"; 42lb	
LCL/AIR	W1195 x D855 x H220mm; 48.49kg W47" x D34" x H9"; 107lb		
	W865 x D865 x H535mm; 27.73kg W34" x D34" x H21"; 61lb		

Lead time: 10-12 weeks

Stone B	¥623,000
Stone A	¥813,000



Lenox Dining Table W2100

by AvroKO



BR-T410-2100

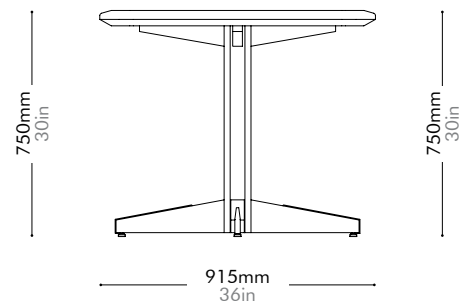
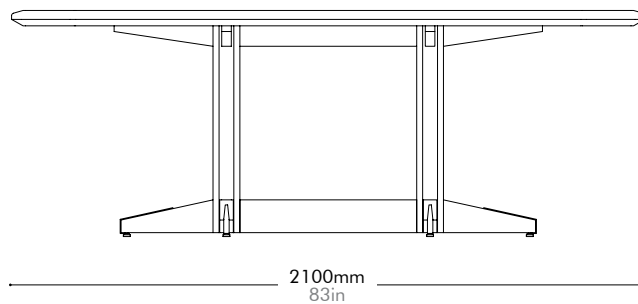
Materials	Solid wood frame, wood veneer top, stainless steel hairline gold		
Dimensions	W2100 x D915 x H750mm W83" x D36" x H30"		
Weight	90.0kg 198lb		
Upholstery			
Shipping Volume	1.87CBM		
Pkg Dimensions	FCL	W2185 x D1000 x H855mm; 104.10kg W86" x D39" x H34"; 230lb	
	LCL/AIR	W2225 x D1040 x H945mm; 130.99kg W88" x D41" x H37"; 289lb	

Oak Lead time: 10-12 weeks

¥533,000

Walnut Lead time: 10-12 weeks

¥724,000



Villon Dining Table R760 - Wood Top by AvroKO



BR-T430-R760-WD

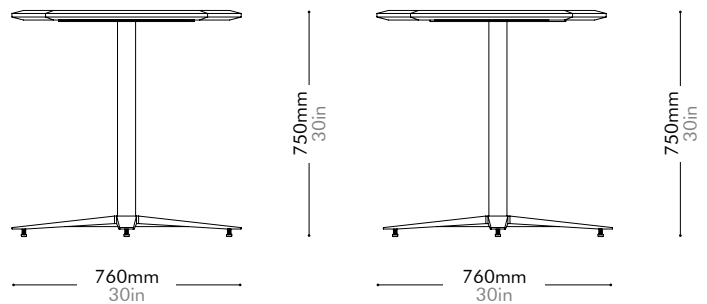
Materials	Wood veneer top, stainless steel hairline gold		
Dimensions	W760 x D760 x H750mm W30" x D30" x H30"		
Weight	16.0kg 35lb		
Upholstery			
Shipping Volume	0.57CBM		
Pkg Dimensions	FCL	W825 x D825 x H835mm; 22.89kg W32" x D32" x H33"; 50lb	
	LCL/AIR	W865 x D865 x H925mm; 31.58kg W34" x D34" x H36"; 70lb	

Oak Lead time: 10-12 weeks

¥221,000

Walnut Lead time: 10-12 weeks

¥257,000



Villon Dining Table R760 - Stone Top by AvroKO

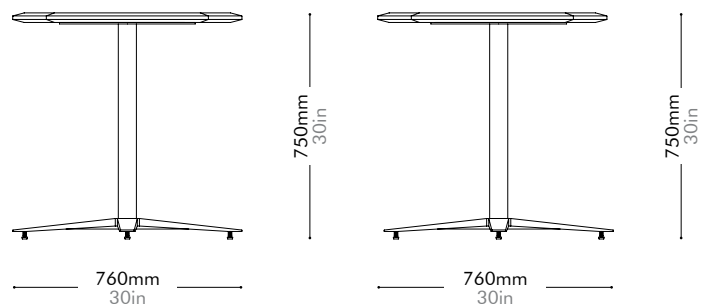


BR-T430-R760-ST

Materials	Stone top in matte paint surface, stainless steel hairline gold		
Dimensions	W760 x D760 x H750mm W30" x D30" x H30"		
Weight	31.0kg 68lb		
Upholstery			
Shipping Volume	0.16+0.55CBM		
Pkg Dimensions	FCL	W855 x D855 x H220mm; 34.33kg W34" x D34" x H9"; 76lb	
		W825 x D825 x H805mm; 15.64kg W32" x D32" x H32"; 34lb	
LCL/AIR		855 x D855 x H220mm; 34.33kg W34" x D34" x H9"; 76lb	
		W865 x D865 x H895mm; 24.34kg W34" x D34" x H35"; 54lb	

Lead time: 10-12 weeks

Stone B	¥378,000
Stone A	¥490,000



Villon Dining Table S760 - Wood Top by AvroKO



BR-T430-S760-WD

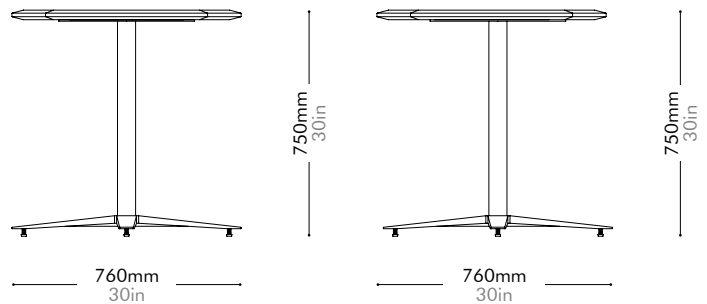
Materials	Wood veneer top, stainless steel hairline gold	
Dimensions	W760 x D760 x H750mm W30" x D30" x H30"	
Weight	18.0kg 40lb	
Upholstery		
Shipping Volume	0.57CBM	
Pkg Dimensions	FCL	W825 x D825 x H835mm; 24.89kg W32" x D32" x H33"; 55lb
	LCL/AIR	W865 x D865 x H925mm; 33.58kg W34" x D34" x H36"; 74lb

Oak Lead time: 10-12 weeks

¥217,000

Walnut Lead time: 10-12 weeks

¥233,000



Villon Dining Table S760 - Stone Top by AvroKO

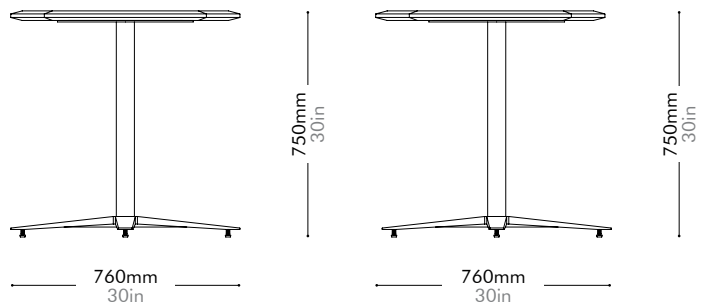


BR-T430-S760-ST

Materials	Stone top in matte paint surface, stainless steel hairline gold		
Dimensions	W760 x D760 x H750mm W30" x D30" x H30"		
Weight	36.0kg 79lb		
Upholstery			
Shipping Volume	0.16+0.55CBM		
Pkg Dimensions	FCL	W855 x D855 x H220mm; 39.33kg W34" x D34" x H9"; 87lb	
		W825 x D825 x H805mm; 15.64kg W32" x D32" x H32"; 34lb	
LCL/AIR		855 x D855 x H220mm; 39.33kg W34" x D34" x H9"; 87lb	
		W865 x D865 x H895mm; 24.34kg W34" x D34" x H35"; 54lb	

Lead time: 10-12 weeks

Stone B	¥354,000
Stone A	¥466,000



Laval Chair by OEO Studio



LA-S220

Materials	Solid wood legs, upholstery		
Dimensions	W500 x D560 x H855mm; SH: 475mm W20" x D22" x H34"; SH: 19"		
Weight	8.5kg 19lb		
Upholstery	1.8M 27.5SF	Fabric + Leather	1.1M+16.5SF
Shipping Volume	0.33CBM		
Pkg Dimensions	FCL	W565 x D625 x H940mm; 14.39kg W22" x D25" x H37"; 32lb	
	LCL/AIR	W605 x D665 x H1030mm; 19.06kg W24" x D26" x H41"; 42lb	

Oak

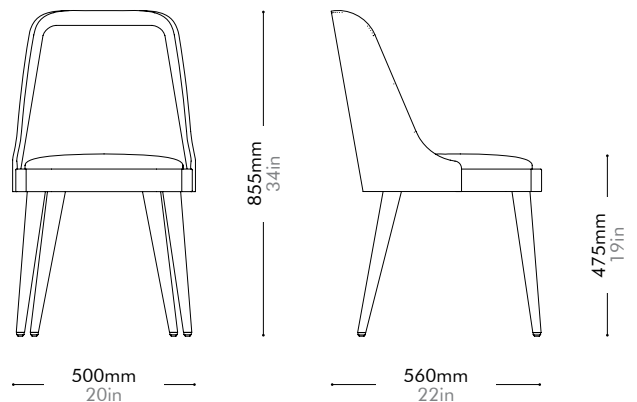
Lead time: 10-12 weeks

COM/COL		¥184,000
Fabric	C	¥184,000
	B	¥222,000
	A	¥235,000
Leather	C	¥213,000
	B	¥242,000
	A	¥270,000
PU Leather		¥184,000
Fabric + Leather	C+C	¥204,000
	C+B	¥222,000
	C+A	¥239,000
	B+C	¥225,000
	B+B	¥242,000
	B+A	¥259,000
	A+C	¥232,000
	A+B	¥250,000
	A+A	¥266,000

Walnut

Lead time: 10-12 weeks

COM/COL		¥198,000
Fabric	C	¥198,000
	B	¥235,000
	A	¥248,000
Leather	C	¥226,000
	B	¥256,000
	A	¥284,000
PU Leather		¥198,000
Fabric + Leather	C+C	¥217,000
	C+B	¥235,000
	C+A	¥252,000
	B+C	¥238,000
	B+B	¥256,000
	B+A	¥273,000
	A+C	¥245,000
	A+B	¥263,000
	A+A	¥280,000



Laval Bench by OEO Studio



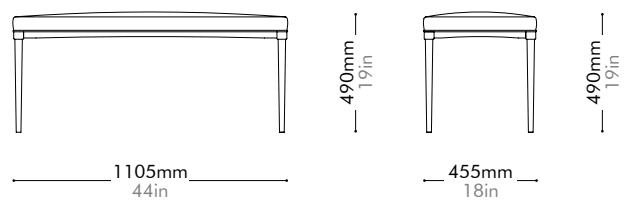
LA-S610

Materials	Solid ash frame, upholstery		
Dimensions	W1105 x D455 x H490mm W44" x D18" x H19"		
Weight	7.0kg 15lb		
Upholstery	1.1M 16.5SF		
Shipping Volume	0.35CBM		
Pkg Dimensions	FCL	W1170 x D520 x H575mm; 11.78kg W46" x D20" x H23"; 26lb	
	LCL/AIR	W1190 x D540 x H670mm; 19.24kg W47" x D21" x H26"; 42lb	

Oak

Lead time: 10-12 weeks

COM/COL		¥169,000
Fabric	C	¥169,000
	B	¥199,000
	A	¥210,000
Leather	C	¥186,000
	B	¥206,000
	A	¥225,000



Laval Sofa

by OEO Studio



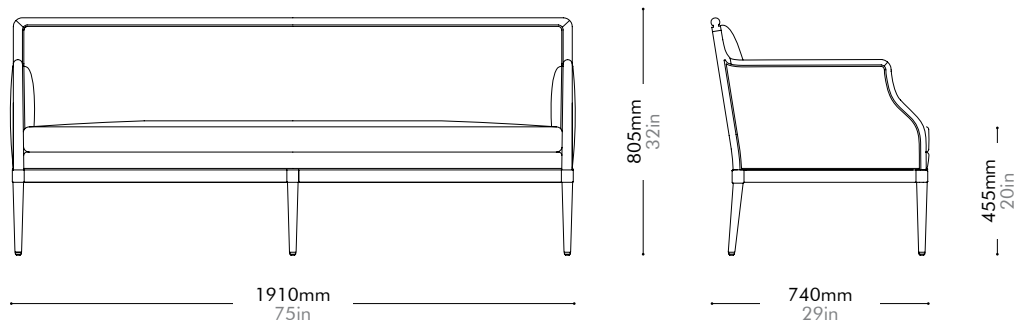
LA-S411

Materials	Solid ash frame, upholstery, upholstered cushion		
Dimensions	W1910 x D740 x H805mm; SH: 455mm W75" x D29" x H32"; SH: 20"		
Weight	32.0kg 71lb		
Upholstery	7.2M 132.OSF		
Shipping Volume	1.50CBM		
Pkg Dimensions	FCL	W1995 x D825 x H910mm; 44.60kg W79" x D32" x H36"; 98lb	
	LCL/AIR	W2015 x D845 x H1005mm; 64.39kg W79" x D33" x H40"; 142lb	

Oak

Lead time: 10-12 weeks

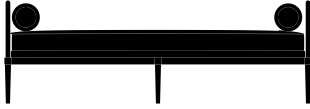
COM/COL		¥626,000
Fabric	C	¥626,000
	B	¥786,000
	A	¥842,000
Leather	C	¥811,000
	B	¥981,000
	A	¥1,141,000



Laval

Chaise Longue

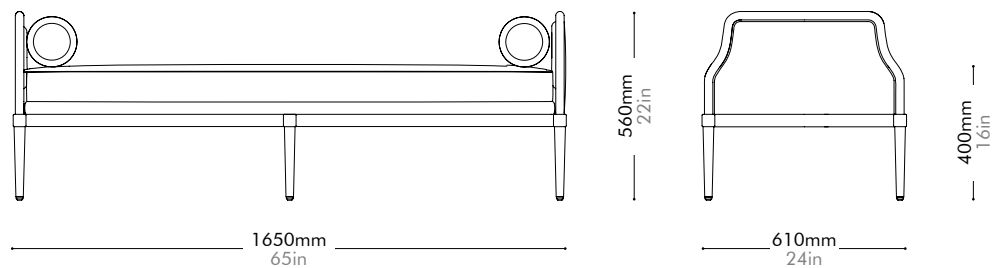
by OEO Studio



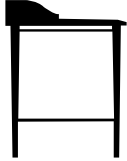
LA-S131

Materials	Solid ash frame, upholstery		
Dimensions	W1650 x D610 x H560mm; SH: 400mm W65" x D24" x H22"; SH: 16"		
Weight	28.5kg 63lb		
Upholstery	4.2M 94.0SF		
Shipping Volume	0.75CBM		
Pkg Dimensions	FCL	W1715 x D675 x H645mm; 36.29kg W68" x D27" x H25"; 80lb	
	LCL/AIR	W1735 x D695 x H740mm; 50.30kg W68" x D27" x H29"; 111lb	

Oak	Lead time: 10-12 weeks	
COM	¥379,000	
Fabric	C	¥379,000
	B	¥496,000
	A	¥537,000



Laval Writing Desk by OEO Studio

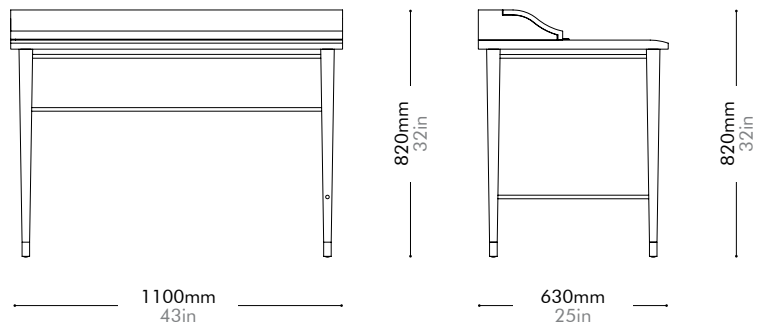


LA-T721

Materials	Solid wood frame, leather table surface, wood veneer panels, brass plated stainless steel		
Dimensions	W1100 x D630 x H820mm W43" x D25" x H32"		
Weight	25.5kg 56lb		
Upholstery			
Shipping Volume	0.73CBM		
Pkg Dimensions	FCL	W1165 x D695 x H905mm; 33.78kg W46" x D27" x H36"; 74lb	
	LCL/AIR	W1185 x D715 x H1000mm; 43.63kg W47" x D28" x H39"; 96lb	

Oak	Lead time: 10-12 weeks	
Leather	C	¥399,000
	B	¥415,000
	A	¥429,000

Walnut	Lead time: 10-12 weeks	
Leather	C	¥476,000
	B	¥491,000
	A	¥505,000



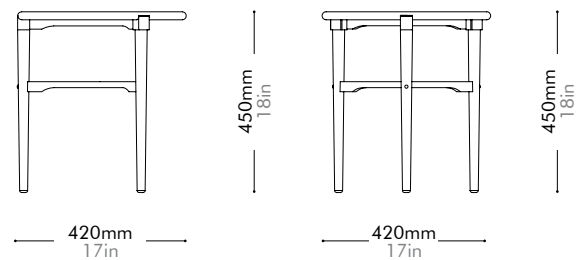
Laval Side Table - Wood Top by OEO Studio



LA-T110-WD

Materials	Solid wood legs, wood veneer table surface		
Dimensions	W420 x D420 x H450mm W17" x D17" x H18"		
Weight	2.5kg 6lb		
Upholstery			
Shipping Volume	0.13CBM		
Pkg Dimensions	FCL	W485 x D485 x H535mm; 5.10kg W19" x D19" x H21"; 11lb	
	LCL/AIR	W505 x D505 x H555mm; 8.06kg W20" x D20" x H22"; 18lb	

Oak	Lead time: 10-12 weeks	Walnut	Lead time: 10-12 weeks
	¥99,000		¥106,000



Laval Side Table - Leather Top by OEO Studio

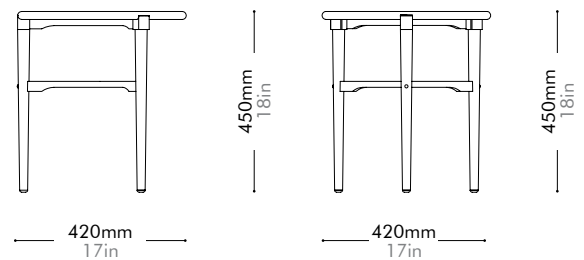


LA-T110-L

Materials	Solid wood legs, leather table surface		
Dimensions	W420 x D420 x H450mm W17" x D17" x H18"		
Weight	2.5kg 6lb		
Upholstery	4SF		
Shipping Volume	0.13CBM		
Pkg Dimensions	FCL	W485 x D485 x H535mm; 5.10kg W19" x D19" x H21"; 11lb	
	LCL/AIR	W505 x D505 x H555mm; 8.06kg W20" x D20" x H22"; 18lb	

Oak	Lead time: 10-12 weeks	
Leather	C	¥113,000
	B	¥117,000
	A	¥120,000

Walnut	Lead time: 10-12 weeks	
Leather	C	¥120,000
	B	¥124,000
	A	¥128,000



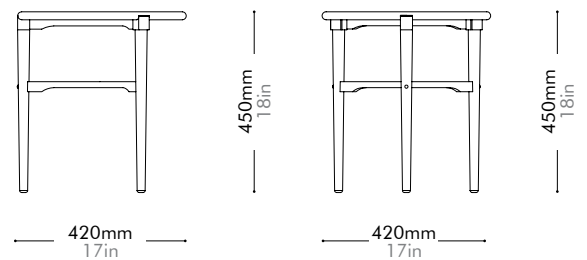
Laval Side Table - Brass Top by OEO Studio



LA-T110-MT

Materials	Solid wood legs, brass plated stainless steel table surface		
Dimensions	W420 x D420 x H450mm W17" x D17" x H18"		
Weight	3.0kg 7lb		
Upholstery			
Shipping Volume	0.13CBM		
Pkg Dimensions	FCL	W485 x D485 x H535mm; 5.60kg W19" x D19" x H21"; 12lb	
	LCL/AIR	W505 x D505 x H555mm; 8.56kg W20" x D20" x H22"; 19lb	

Oak	Lead time: 10-12 weeks	Walnut	Lead time: 10-12 weeks
	¥114,000		¥122,000



Laval

Bedside Drawer

by OEO Studio



LA-CH120

Materials Solid ash legs, wood veneer frame and drawer, solid walnut drawer front

Dimensions W420 x D400 x H450mm | W17" x D16" x H18"

Weight 15.0kg | 33lb

Upholstery

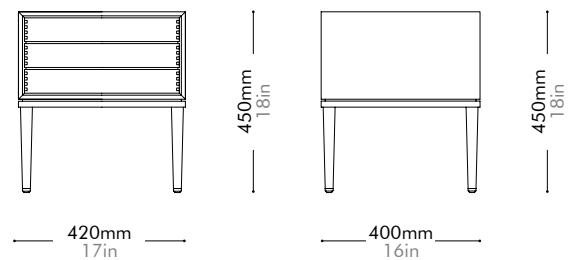
Shipping Volume 0.12CBM

Pkg Dimensions FCL W485 x D465 x H535mm; 17.55kg | W19" x D18" x H21"; 39lb

LCL/AIR W505 x D485 x H630mm; 20.40kg | W20" x D19" x H25"; 45lb

Oak+Walnut Lead time: 10-12 weeks

¥160,000



Laval Chest Drawer by OEO Studio



LA-CH110

Materials Solid ash legs, wood veneer frame and drawer, solid walnut drawer front

Dimensions W850 x D400 x H600mm | W33" x D16" x H24"

Weight 27.0kg | 60lb

Upholstery

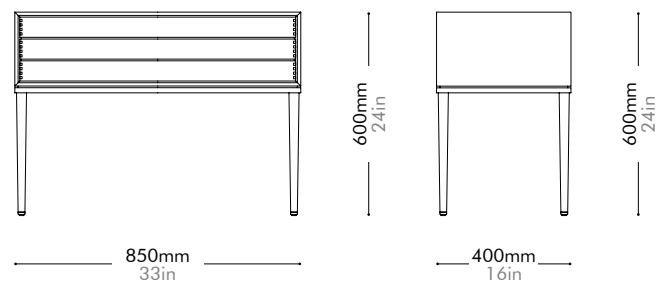
Shipping Volume 0.29CBM

Pkg Dimensions FCL W915 x D465 x H685mm; 31.60kg | W36" x D18" x H27"; 70lb

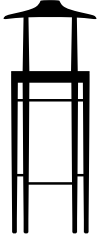
LCL/AIR W935 x D485 x H780mm; 36.87kg | W37" x D19" x H31"; 81lb

Oak+Walnut Lead time: 10-12 weeks

¥250,000



Laval Gentleman's Valet by OEO Studio

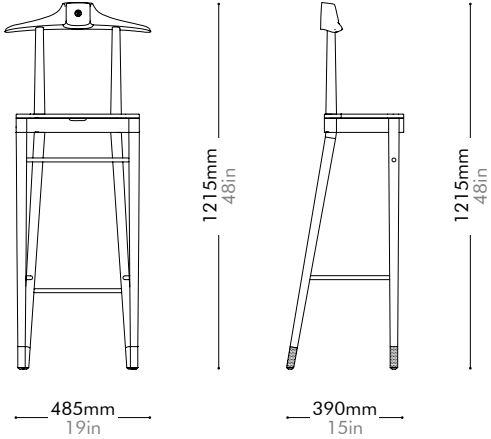


LA-V110

Materials	Solid walnut, wood veneer panels, brass plated stainless steel		
Dimensions	W485 x D390 x H1215mm W19" x D15" x H48"		
Weight	5.5kg 12lb		
Upholstery			
Shipping Volume	0.33CBM		
Pkg Dimensions	FCL	W550 x D455 x H1300mm; 13.62kg W22" x D18" x H51"; 30lb	
	LCL/AIR	W570 x D475 x H1395mm; 16.76kg W22" x D19" x H55"; 37lb	

Walnut Lead time: 10-12 weeks

¥334,000



Valet Lounge Chair by David Rockwell



VA-S111

Materials Steel black powder coat sand burst, stainless steel hairline gold, leather

Dimensions W740 x D685 x H715mm; SH: 350mm | W29" x D27" x H28"; SH: 14"

Weight 10.0kg | 22lb

Upholstery

Shipping Volume 0.47CBM

Pkg Dimensions FCL W805 x D750 x H780mm; 16.06kg | W32" x D30" x H31"; 35lb

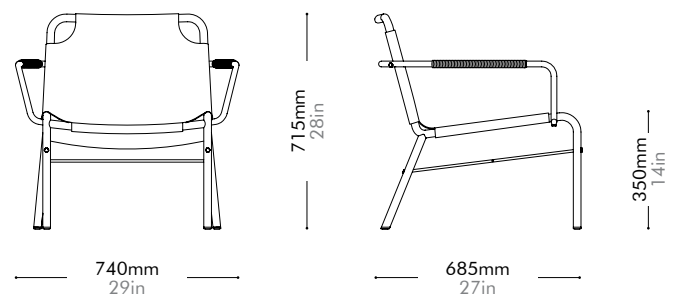
LCL/AIR W825 x D770 x H875mm; 23.44kg | W32" x D30" x H34"; 52lb

* only available in Brown Saddle Leather

Lead time: 10-12 weeks

Leather (standard)

¥215,000



Valet Club Chair by David Rockwell

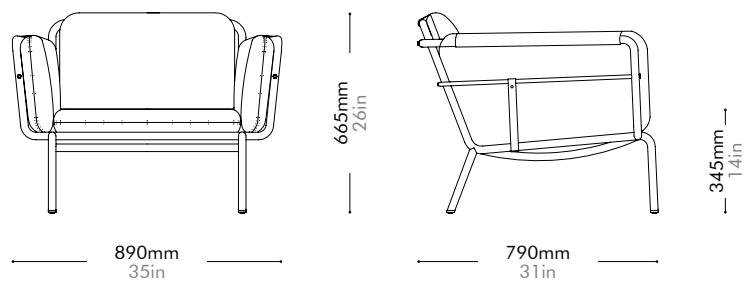


VA-S411

Materials	Steel black powder coat sand brust frame, stainless steel hairline gold, upholstered cushions, leather belts	
Dimensions	W890 x D790 x H665mm; SH: 345mm W35" x D31" x H26"; SH: 14"	
Weight	19.0kg 42lb	
Upholstery	4.2M 85.8SF	
Shipping Volume	0.60CBM	
Pkg Dimensions	FCL	W960 x D855 x H730mm; 25.70kg W38" x D34" x H29"; 57lb
	LCL/AIR	W980 x D875 x H825mm; 35.66kg W39" x D34" x H32"; 79lb

Lead time: 10-12 weeks

COM/COL		¥354,000
Fabric	C	¥354,000
	B	¥441,000
	A	¥471,000
Leather	C	¥470,000
	B	¥573,000
	A	¥669,000



Valet Love Seat by David Rockwell

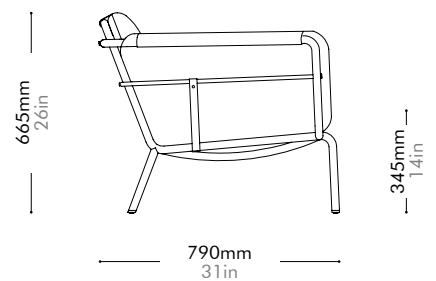
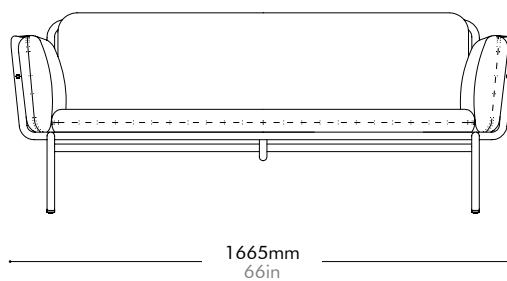


VA-S421

Materials	Steel black powder coat sand burst frame, stainless steel hairline gold, upholstered cushions, leather belts	
Dimensions	W1665 x D790 x H665mm; SH: 345mm W66" x D31" x H26"; SH: 14"	
Weight	30.5kg 67lb	
Upholstery	6.4M 121.OSF	
Shipping Volume	1.15CBM	
Pkg Dimensions	FCL	W1755 x D875 x H750mm; 40.68kg W69" x D34" x H30"; 90lb
	LCL/AIR	W1775 x D895 x H845mm; 59.14kg W70" x D35" x H33"; 130lb

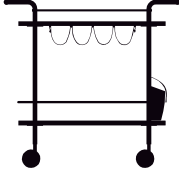
Lead time: 10-12 weeks

COM/COL		¥509,000
Fabric	C	¥509,000
	B	¥651,000
	A	¥701,000
Leather	C	¥680,000
	B	¥836,000
	A	¥982,000



Valet Bar Cart

by David Rockwell



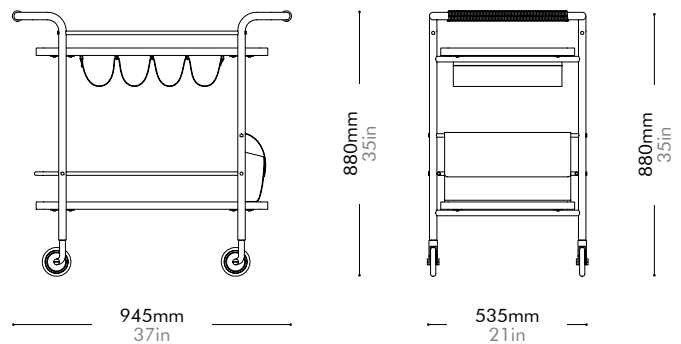
VA-CA110

Materials	Steel black powder coat sand burst, stainless steel hairline gold, wood veneer boards, leather		
Dimensions	W945 x D535 x H880mm W37" x D21" x H35"		
Weight	25.0kg 55lb		
Upholstery			
Shipping Volume	0.25CBM		
Pkg Dimensions	FCL	W1025 x D595 x H405mm; 28.58kg W40" x D23" x H16"; 63lb	
	LCL/AIR	W1045 x D615 x H500mm; 36.04kg W41" x D24" x H20"; 79lb	

* only available in Brown Saddle Leather

Walnut Lead time: 10-12 weeks

Leather (standard) **¥390,000**



Valet Seated Bench by David Rockwell



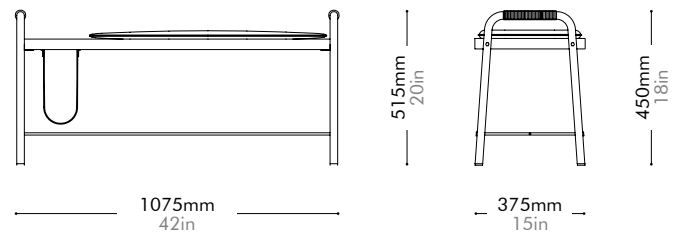
VA-S610

Materials	Steel black powder coat sand burst, stainless steel hairline gold, wood veneer board, leather, upholstered seat pad		
Dimensions	W1075 x D375 x H515mm; SH: 450mm W42" x D15" x H20"; SH: 18"		
Weight	13.2kg 29lb		
Upholstery			
Shipping Volume	0.10CBM		
Pkg Dimensions	FCL	W1135 x D435 x H195mm; 15.29kg W45" x D17" x H8"; 34lb	
	LCL/AIR	W1155 x D455 x H290mm; 21.40kg W45" x D18" x H11"; 47lb	

* only available in Brown Saddle Leather

Walnut Lead time: 10-12 weeks

Leather (standard) **¥271,000**



Valet Coffee Table by David Rockwell



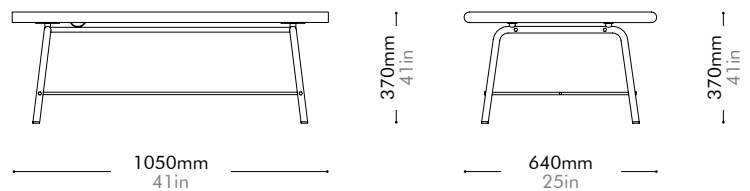
VA-T210

Materials	Wood veneer top, steel black powder coat sand burst, stainless steel hairline gold, leather		
Dimensions	W1050 x D640 x H370mm W41" x D25" x H15"		
Weight	17.5kg 39lb		
Upholstery			
Shipping Volume	0.15CBM		
Pkg Dimensions	FCL	W1115 x D705 x H195mm; 20.45kg W44" x D28" x H8"; 45lb	
	LCL/AIR	W1135 x D725 x H290mm; 30.01kg W45" x D29" x H11"; 66lb	

* only available in Brown Saddle Leather

Walnut Lead time: 10-12 weeks

Leather (standard) **¥209,000**



Valet Magazine Rack by David Rockwell



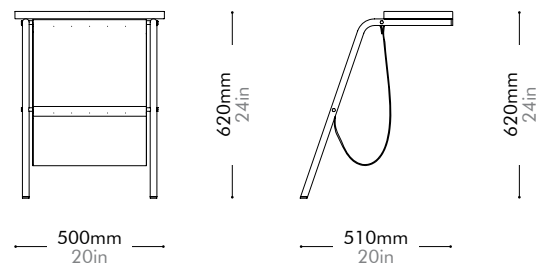
VA-SF110

Materials	Wood veneer top, steel black powder coat sand burst, stainless steel hairline gold, leather		
Dimensions	W500 x D510 x H620mm W20" x D20" x H24"		
Weight	4.5kg 10lb		
Upholstery			
Shipping Volume	0.03CBM		
Pkg Dimensions	FCL	W855 x D325 x H115mm; 5.57kg W34" x D13" x H5"; 12lb	
	LCL/AIR	W875 x D345 x H135mm; 9.07kg W34" x D14" x H5"; 20lb	

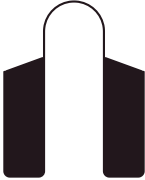
* only available in Brown Saddle Leather

Walnut Lead time: 10-12 weeks

Leather (standard) **¥153,000**



Valet Leather Sling Pockets by David Rockwell



VA-S400-A1

Materials	Leather
Dimensions	W255 x D300 x H255mm W10" x D12" x H10"
Weight	0.5kg 1lb
Upholstery	
Shipping Volume	
Pkg Dimensions	

* only available in Brown Saddle Leather

Lead time: 10-12 weeks

Leather (standard)	¥52,000
--------------------	----------------

Valet

Hi-Fi Console

by David Rockwell



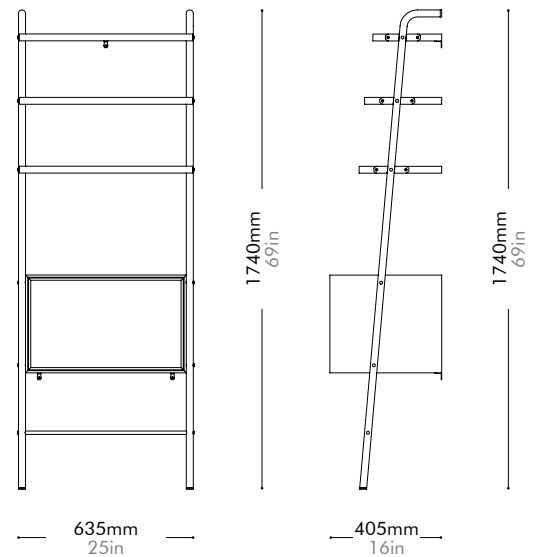
VA-SF120

Materials	Steel black powder coat sand burst, stainless steel hairline gold, wood veneer shelves		
Dimensions	W635 x D405 x H1740mm W25" x D16" x H69"		
Weight	22.7kg 10lb		
Upholstery			
Shipping Volume	0.05 + 0.17CBM		
Pkg Dimensions	FCL	W1875 x D275 x H95mm; 6.52kg W74" x D11" x H4"; 14lb	
		W695 x D465 x H515mm; 20.96kg W75" x D12" x H7"; 29lb	
	LCL/AIR	W1895 x D295 x H190mm; 13.02kg W27" x D18" x H20"; 46lb	
		W715 x D485 x H610mm; 24.99kg W28" x D19" x H24"; 55lb	

Walnut

Lead time: 10-12 weeks

¥271,000



Valet Mixology Center by David Rockwell



VA-SF140

Materials	Steel black powder coat sand burst, stainless steel hairline gold, wood veneer shelves, leather		
Dimensions	W635 x D510 x H1740mm W25" x D20" x H69"		
Weight	30.2kg 11lb		
Upholstery			
Shipping Volume	0.05 + 0.24CBM		
Pkg Dimensions	FCL	W1875 x D275 x H95mm; 7.02kg W74" x D11" x H4"; 15lb	
		W695 x D575 x H595mm; 28.77kg W75" x D12" x H7"; 30lb	
	LCL/AIR	W1895 x D295 x H190mm; 13.52kg W27" x D27" x H23"; 63lb	
		W715 x D595 x H690mm; 33.72kg W28" x D23" x H27"; 74lb	

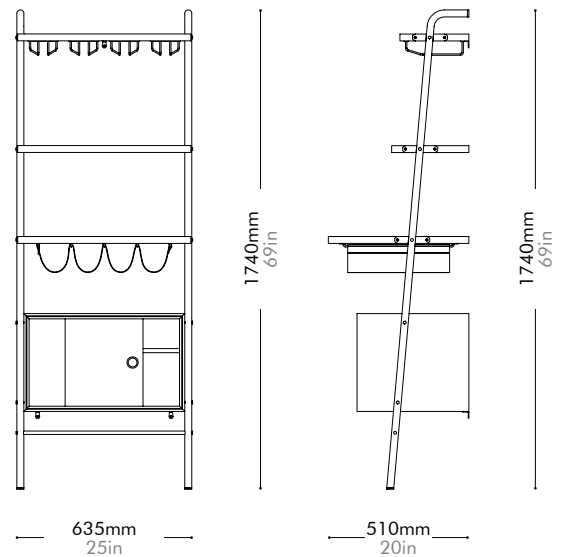
* only available in Brown Saddle Leather

Walnut

Lead time: 10-12 weeks

Leather (standard)

¥360,000



Valet Display Shelves & Magazine Rack by David Rockwell

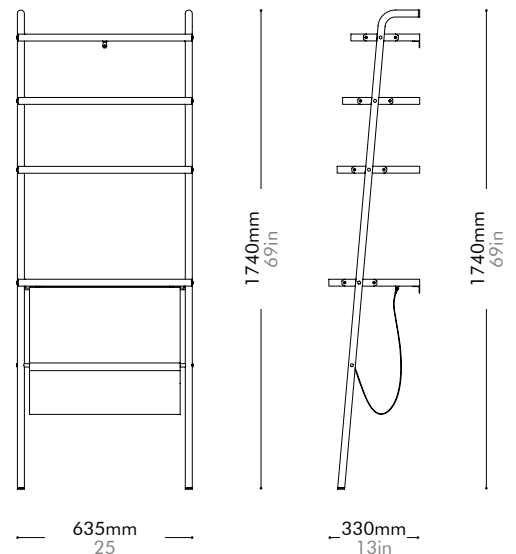


VA-SF130

Materials	Steel black powder coat sand burst, stainless steel hairline gold, wood veneer shelves, leather	
Dimensions	W635 x D330 x H1740mm W25" x D13" x H69"	
Weight	17.4kg 38lb	
Upholstery		
Shipping Volume	0.05 + 0.05CBM	
Pkg Dimensions	FCL	W1875 x D275 x H95mm; 6.52kg W74" x D11" x H4"; 15lb
		W695 x D395 x H195mm; 14.01kg W75" x D12" x H7"; 30lb
	LCL/AIR	W1895 x D295 x H190mm; 13.02kg W27" x D16" x H8"; 31lb
		W715 x D415 x H290mm; 17.46kg W28" x D16" x H11"; 39lb

* only available in Brown Saddle Leather

Walnut	Lead time: 10-12 weeks
Leather (standard)	¥270,000



Valet

Office Shelves

by David Rockwell



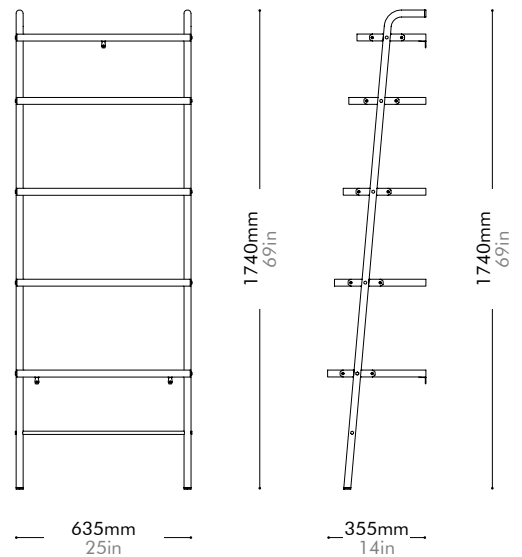
VA-SF160

Materials	Steel black powder coat sand brush, stainless steel hairline gold, wood veneer shelves	
Dimensions	W635 x D355 x H1740mm W25" x D14" x H69"	
Weight	21.5kg 38lb	
Upholstery		
Shipping Volume	0.05 + 0.06CBM	
Pkg Dimensions	FCL	W1875 x D275 x H95mm; 7.02kg W74" x D11" x H4"; 14lb
		W695 x D415 x H195mm; 17.66kg W75" x D12" x H7"; 29lb
LCL/AIR		W1895 x D295 x H190mm; 13.52kg W27" x D16" x H8"; 31lb
		W715 x D435 x H290mm; 21.27kg W28" x D16" x H11"; 39lb

Walnut

Lead time: 10-12 weeks

¥213,000



Valet Desk Shelves by David Rockwell

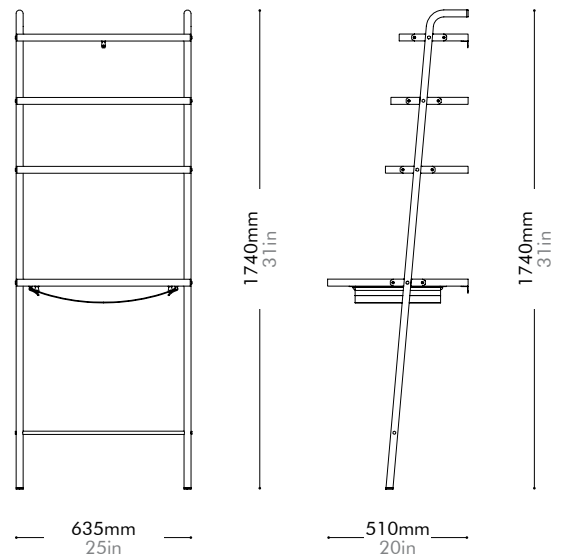


VA-SF150

Materials	Steel black powder coat sand burst, stainless steel hairline gold, wood veneer shelves, leather		
Dimensions	W635 x D510 x H1740mm W25" x D20" x H31"		
Weight	18.4kg 40lb		
Upholstery			
Shipping Volume	0.05 + 0.08CBM		
Pkg Dimensions	FCL	W1875 x D275 x H95mm; 6.52kg W74" x D11" x H4"; 14lb	
		W695 x D575 x H195mm; 15.41kg W75" x D12" x H7"; 29lb	
LCL/AIR		W1895 x D295 x H190mm; 13.02kg W27" x D23" x H8"; 34lb	
		W715 x D595 x H290mm; 20.36kg W28" x D23" x H11"; 45lb	

* only available in Brown Saddle Leather

Walnut	Lead time: 10-12 weeks
Leather (standard)	¥247,000



Valet

by David Rockwell



VA-V110

Materials	Steel black powder coat sand burst, stainless steel hairline gold, wood veneer shelves, leather, mirror		
Dimensions	W590 x D620 x H1810mm W23" x D24" x H71"		
Weight	10.9kg 24lb		
Upholstery			
Shipping Volume	0.21CBM		
Pkg Dimensions	FCL	W1875 x D655 x H175mm; 15.15kg W74" x D26" x H7"; 33lb	
	LCL/AIR	W1895 x D675 x H270mm; 30.02kg W75" x D27" x H11"; 66lb	

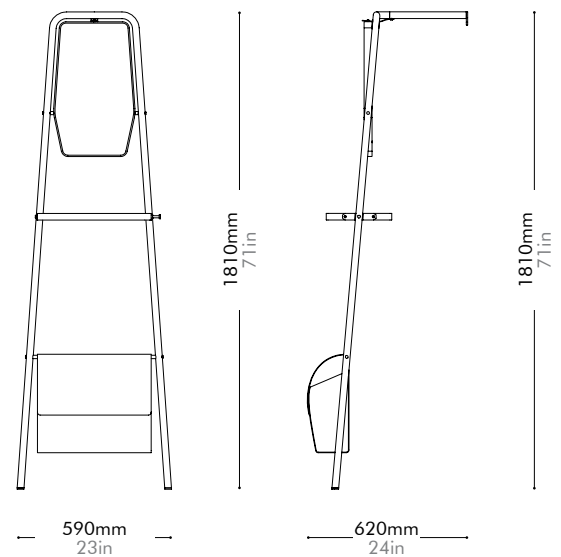
* only available in Brown Saddle Leather

Walnut

Lead time: 10-12 weeks

Leather (standard)

¥305,000



Eclipse Nesting Table Small by Meyer Davis

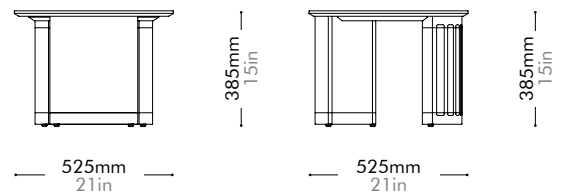


WG-T210-S

Materials	Solid wood frame, wood veneer panel, marble top
Dimensions	W525 x D525 x H385mm W21" x D21" x H15"
Weight	22.0kg 49lb
Upholstery	
Shipping Volume	0.21CBM
Pkg Dimensions	FCL/LCL/AIR W620 x D620 x H555mm; 33.97kg W24" x D24" x H22"; 75lb

Oak	Lead time: 10-12 weeks
Stone B	¥211,000
Stone A	¥251,000

Walnut	Lead time: 10-12 weeks
Stone B	¥259,000
Stone A	¥299,000



Eclipse Nesting Table Large by Meyer Davis

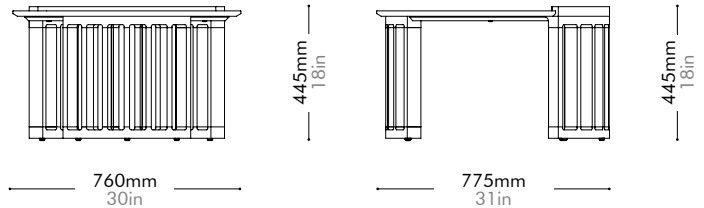


WG-T210-L

Materials	Solid wood frame, wood veneer panel, marble top
Dimensions	W760 x D775 x H445mm W30" x D31" x H18"
Weight	26.0kg 57lb
Upholstery	
Shipping Volume	0.46CBM
Pkg Dimensions	FCL/LCL/AIR W855 x D870 x H615mm; 46.33kg W34" x D34" x H24"; 102lb

Oak	Lead time: 10-12 weeks
Stone B	¥330,000
Stone A	¥415,000

Walnut	Lead time: 10-12 weeks
Stone B	¥420,000
Stone A	¥505,000



Eclipse Side Table by Meyer Davis

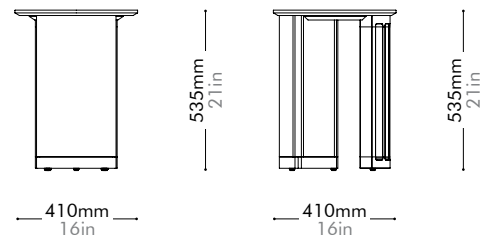


WG-T110

Materials	Solid wood frame, wood veneer panel, marble top	
Dimensions	W410 x D410 x H535mm W16" x D16" x H21"	
Weight	16.0kg 35lb	
Upholstery		
Shipping Volume	0.18CBM	
Pkg Dimensions	FCL/LCL/AIR	W505 x D505 x H705mm; 26.77kg W20" x D20" x H28"; 59lb

Oak	Lead time: 10-12 weeks
Stone B	¥190,000
Stone A	¥216,000

Walnut	Lead time: 10-12 weeks
Stone B	¥236,000
Stone A	¥262,000



Enzo Bar One Door by Meyer Davis

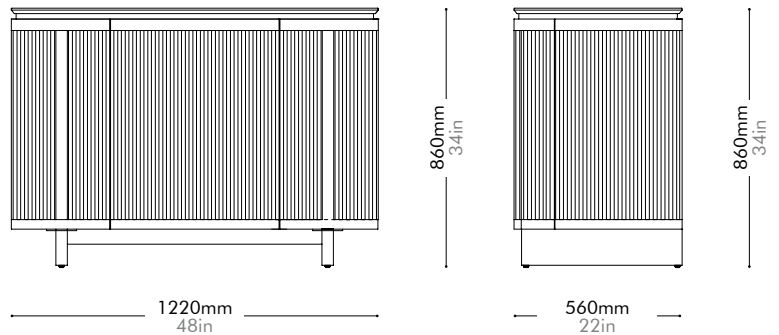


WG-C110

Materials	Solid wood, wood veneer panels, marble top	
Dimensions	W1220 x D560 x H860mm W48" x D22" x H34"	
Weight	105.0kg 232lb	
Upholstery		
Shipping Volume	0.96CBM	
Pkg Dimensions	FCL/LCL/AIR	W1335 x D675 x H1070mm; 139.61kg W53" x D27" x H42"; 308lb

Oak	Lead time: 10-12 weeks
Stone B	¥874,000
Stone A	¥968,000

Walnut	Lead time: 10-12 weeks
Stone B	¥1,016,000
Stone A	¥1,109,000



Enzo Bar

Two Door

by Meyer Davis

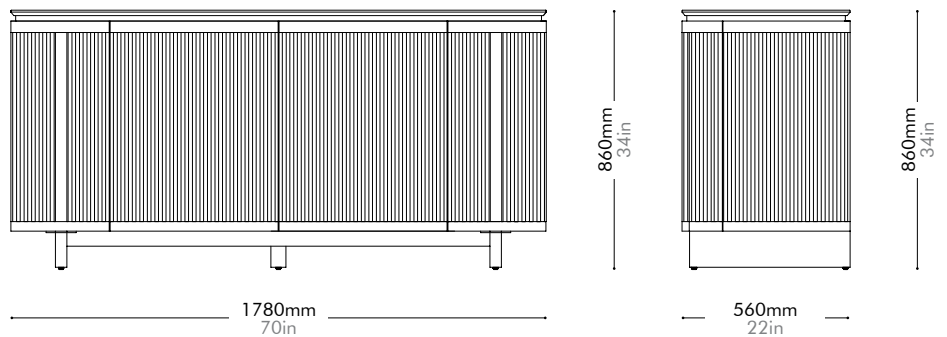


WG-C120

Materials	Solid wood, Wood veneer panels, Marble top	
Dimensions	W1780 x D560 x H860mm W70" x D22" x H34"	
Weight	160.0kg 353lb	
Upholstery		
Shipping Volume	1.37CBM	
Pkg Dimensions	FCL/LCL/AIR	W1895 x D675 x H1070mm; 205.81kg W75" x D27" x H42"; 454lb

Oak	Lead time: 10-12 weeks
Stone B	¥1,058,000
Stone A	¥1,196,000

Walnut	Lead time: 10-12 weeks
Stone B	¥1,269,000
Stone A	¥1,407,000



Finn Nesting Table Small by Meyer Davis

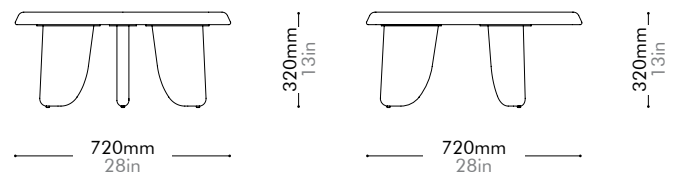


WG-T220-S

Materials	Solid wood legs, wood veneer top		
Dimensions	Ø720 x H320mm Ø28" x H13"		
Weight	15.0kg 33lb		
Upholstery			
Shipping Volume	0.23CBM		
Pkg Dimensions	FCL	W780 x D780 x H380mm; 18.36kg W31" x D31" x H15"; 40lb	
	LCL/AIR	W820 x D820 x H470mm; 26.18kg W32" x D32" x H19"; 58lb	

Oak	Lead time: 10-12 weeks
	¥165,000

Walnut	Lead time: 10-12 weeks
	¥226,000



Finn Nesting Table Large by Meyer Davis



WG-T220-L

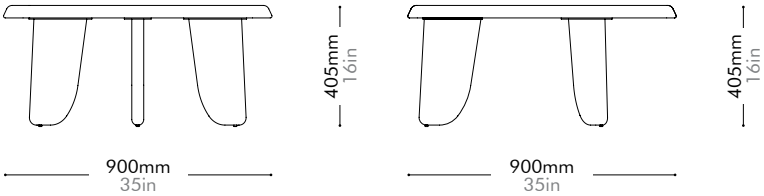
Materials	Solid wood legs, wood veneer top	
Dimensions	Ø900 x H405mm Ø35" x H16"	
Weight	20.0kg 44lb	
Upholstery		
Shipping Volume	0.43CBM	
Pkg Dimensions	FCL	W960 x D960 x H465mm; 25.08kg W38" x D38" x H18"; 55lb
	LCL/AIR	W1000 x D1000 x H555mm; 36.70kg W39" x D39" x H22"; 81lb

Oak Lead time: 10-12 weeks

¥191,000

Walnut Lead time: 10-12 weeks

¥262,000



Finn Side Table

by Meyer Davis



WG-T120

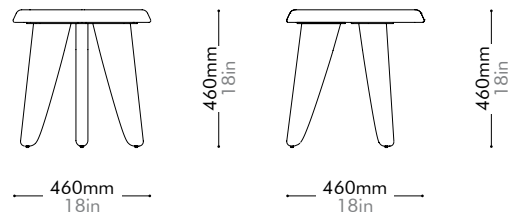
Materials	Solid wood legs, wood veneer top	
Dimensions	Ø460 x H460mm Ø18" x H18"	
Weight	3.5kg 8lb	
Upholstery		
Shipping Volume	0.14CBM	
Pkg Dimensions	FCL	W520 x D520 x H520mm; 6.20kg W20" x D20" x H20"; 14lb
	LCL/AIR	W560 x D560 x H610mm; 9.85kg W22" x D22" x H24"; 22lb

Oak Lead time: 10-12 weeks

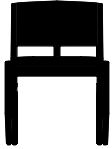
¥123,000

Walnut Lead time: 10-12 weeks

¥170,000



Hugo Dining Chair by Meyer Davis

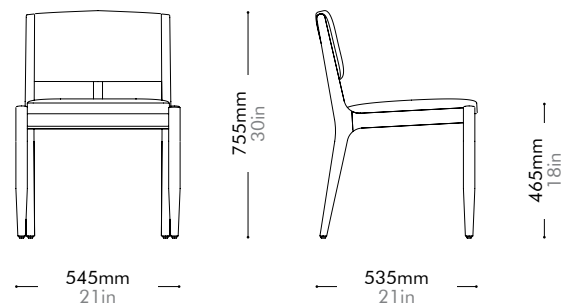


WG-S210

Materials	Solid wood frame, upholstery, stainless steel hairline aged dark		
Dimensions	W545 x D535 x H755mm; SH: 465mm W21" x D21" x H30"; SH: 18"		
Weight	7.7kg 17lb		
Upholstery	0.8M 22.0SF		
Shipping Volume	0.31CBM		
Pkg Dimensions	FCL	W610 x D600 x H840mm; 12.92kg W24" x D24" x H33"; 28lb	
	LCL/AIR	W650 x D640 x H930mm; 17.75kg W26" x D25" x H37"; 39lb	

Oak		Lead time: 10-12 weeks
COM/COL		¥172,000
Fabric	C	¥172,000
	B	¥188,000
	A	¥194,000
Leather	C	¥203,000
	B	¥229,000
	A	¥253,000
PU Leather		¥172,000

Walnut		Lead time: 10-12 weeks
COM/COL		¥215,000
Fabric	C	¥215,000
	B	¥231,000
	A	¥236,000
Leather	C	¥246,000
	B	¥271,000
	A	¥295,000
PU Leather		¥215,000



Hugo Slim Dining Chair

by Meyer Davis

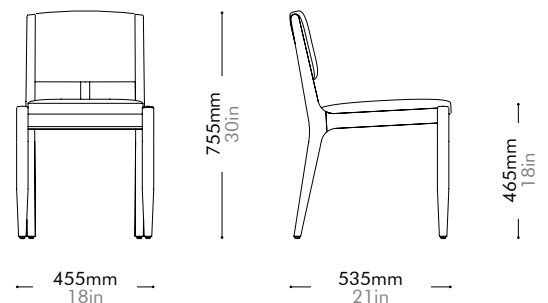


WG-S210-S

Materials	Solid wood frame, upholstery, stainless steel hairline aged dark		
Dimensions	W455 x D535 x H755mm; SH: 465mm W18" x D21" x H30"; SH: 18"		
Weight	7.0kg 15lb		
Upholstery	0.7M 20.0SF		
Shipping Volume	0.26CBM		
Pkg Dimensions	FCL	W520 x D600 x H840mm; 11.90kg W20" x D24" x H33"; 26lb	
	LCL/AIR	W560 x D640 x H930mm; 16.06kg W22" x D25" x H37"; 35lb	

Oak		Lead time: 10-12 weeks
COM/COL		¥167,000
Fabric	C	¥167,000
	B	¥181,000
	A	¥186,000
Leather	C	¥199,000
	B	¥225,000
	A	¥249,000
PU Leather		¥167,000

Walnut		Lead time: 10-12 weeks
COM/COL		¥203,000
Fabric	C	¥203,000
	B	¥218,000
	A	¥223,000
Leather	C	¥236,000
	B	¥261,000
	A	¥285,000
PU Leather		¥203,000



Hugo Arm Chair by Meyer Davis

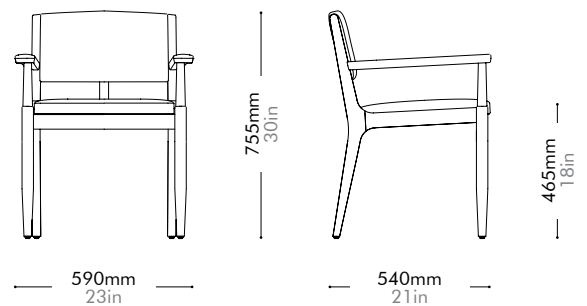


WG-S211

Materials	Solid wood frame, upholstery, stainless steel hairline aged dark		
Dimensions	W590 x D540 x H755mm; SH: 465mm W23" x D21" x H30"; SH: 18"		
Weight	8.7kg 19lb		
Upholstery	0.8M 22.0SF		
Shipping Volume	0.33CBM		
Pkg Dimensions	FCL	W655 x D605 x H840mm; 14.10kg W26" x D24" x H33"; 31lb	
	LCL/AIR	W695 x D645 x H930mm; 19.31kg W27" x D25" x H37"; 43lb	

Oak		Lead time: 10-12 weeks
COM/COL		¥183,000
Fabric	C	¥183,000
	B	¥199,000
	A	¥205,000
Leather	C	¥215,000
	B	¥240,000
	A	¥264,000
PU Leather		¥183,000

Walnut		Lead time: 10-12 weeks
COM/COL		¥230,000
Fabric	C	¥230,000
	B	¥246,000
	A	¥252,000
Leather	C	¥261,000
	B	¥287,000
	A	¥311,000
PU Leather		¥230,000



Hugo Counter Stool by Meyer Davis

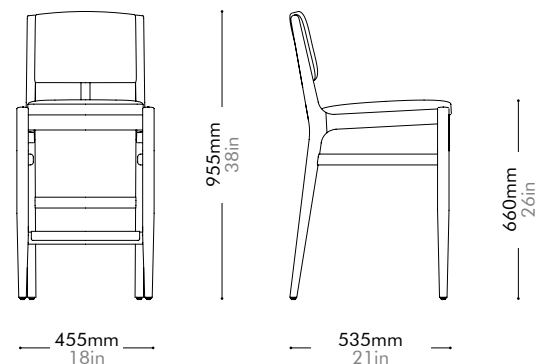


WG-S310-660

Materials	Solid wood frame, upholstery, stainless steel hairline aged dark		
Dimensions	W455 x D535 x H955mm; SH: 660mm W18" x D21" x H38"; SH: 26"		
Weight	8.5kg 19lb		
Upholstery	0.7M 20.0SF		
Shipping Volume	0.32CBM		
Pkg Dimensions	FCL	W520 x D600 x H1040mm; 14.90kg W20" x D24" x H41"; 33lb	
	LCL/AIR	W560 x D640 x H1130mm; 19.06kg W22" x D25" x H44"; 42lb	

Oak		Lead time: 10-12 weeks
COM/COL		¥203,000
Fabric	C	¥203,000
	B	¥220,000
	A	¥226,000
Leather	C	¥236,000
	B	¥264,000
	A	¥290,000
PU Leather		¥203,000

Walnut		Lead time: 10-12 weeks
COM/COL		¥249,000
Fabric	C	¥249,000
	B	¥266,000
	A	¥272,000
Leather	C	¥282,000
	B	¥310,000
	A	¥336,000
PU Leather		¥249,000



Hugo Bar Stool by Meyer Davis

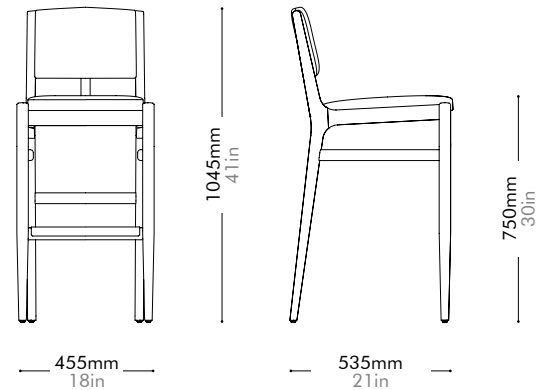


WG-S310-750

Materials	Solid wood frame, upholstery, stainless steel hairline aged dark		
Dimensions	W455 x D535 x H1045mm; SH: 750mm W18" x D21" x H41"; SH: 30"		
Weight	9.0kg 20lb		
Upholstery	0.7M 20.0SF		
Shipping Volume	0.35CBM		
Pkg Dimensions	FCL	W520 x D600 x H1130mm; 16.14kg W20" x D24" x H44"; 36lb	
	LCL/AIR	W560 x D640 x H1220mm; 20.30kg W22" x D25" x H48"; 45lb	

Oak		Lead time: 10-12 weeks
COM/COL		¥204,000
Fabric	C	¥204,000
	B	¥222,000
	A	¥228,000
Leather	C	¥238,000
	B	¥266,000
	A	¥292,000
PU Leather		¥204,000

Walnut		Lead time: 10-12 weeks
COM/COL		¥254,000
Fabric	C	¥254,000
	B	¥271,000
	A	¥277,000
Leather	C	¥288,000
	B	¥316,000
	A	¥342,000
PU Leather		¥254,000



Teddy Lounge Chair by Meyer Davis

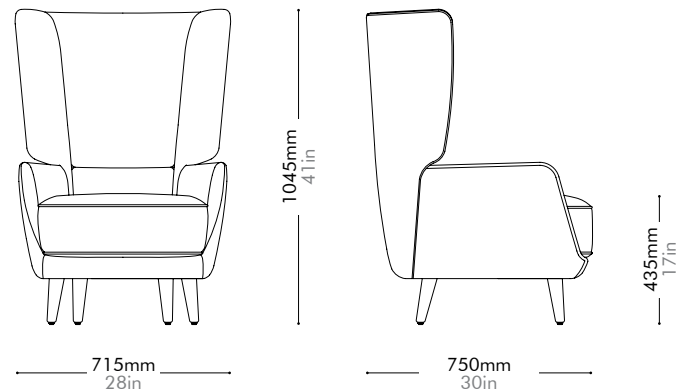


WG-S110

Materials	Solid wood leg, upholstery		
Dimensions	W715 x D750 x H1045mm; SH: 435mm W28" x D30" x H41"; SH: 17"		
Weight	24.5kg 54lb		
Upholstery	4.2M 105.0SF		
Shipping Volume	0.72CBM		
Pkg Dimensions	FCL	W780 x D815 x H1130mm; 33.79kg W31" x D32" x H44"; 75lb	
	LCL/AIR	W820 x D855 x H1220mm; 41.93kg W32" x D34" x H48"; 92lb	

Oak		Lead time: 10-12 weeks
COM/COL		¥319,000
Fabric	C	¥319,000
	B	¥418,000
	A	¥453,000
Leather	C	¥490,000
	B	¥632,000
	A	¥766,000
PU Leather		¥319,000

Walnut		Lead time: 10-12 weeks
COM/COL		¥330,000
Fabric	C	¥330,000
	B	¥429,000
	A	¥463,000
Leather	C	¥501,000
	B	¥643,000
	A	¥777,000
PU Leather		¥330,000



Teddy Fold Lounge Chair by Meyer Davis

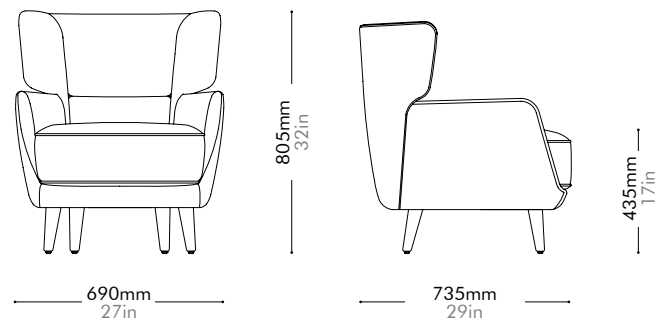


WG-S120

Materials	Solid wood leg, upholstery	
Dimensions	W690 x D735 x H805mm; SH: 435mm W27" x D29" x H32"; SH: 17"	
Weight	23.0kg 51lb	
Upholstery	3.5M 88.0SF	
Shipping Volume	0.54CBM	
Pkg Dimensions	FCL	W755 x D800 x H890mm; 29.95kg W30" x D31" x H35"; 66lb
	LCL/AIR	W795 x D840 x H980mm; 37.71kg W31" x D33" x H39"; 83lb

Oak		Lead time: 10-12 weeks
COM/COL		¥302,000
Fabric	C	¥302,000
	B	¥393,000
	A	¥424,000
Leather	C	¥442,000
	B	¥561,000
	A	¥673,000
PU Leather		¥302,000

Walnut		Lead time: 10-12 weeks
COM/COL		¥308,000
Fabric	C	¥308,000
	B	¥399,000
	A	¥430,000
Leather	C	¥448,000
	B	¥567,000
	A	¥679,000
PU Leather		¥308,000



Teddy Fold Ottoman by Meyer Davis

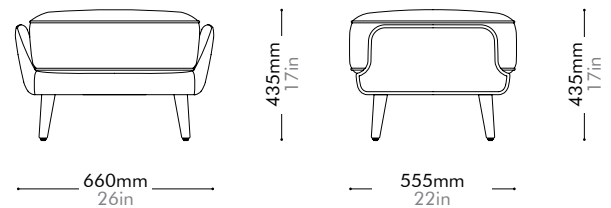


WG-S510

Materials	Solid wood leg, Upholstery	
Dimensions	W660 x D555 x H435mm; SH: 435mm W26" x D22" x H17"; SH: 17"	
Weight	16.0kg 35lb	
Upholstery	2.0M 50.0SF	
Shipping Volume	0.23CBM	
Pkg Dimensions	FCL	W725 x D620 x H520mm; 19.55kg W29" x D24" x H20"; 43lb
	LCL/AIR	W765 x D660 x H610mm; 25.42kg W30" x D26" x H24"; 56lb

Oak		Lead time: 10-12 weeks
COM/COL		¥160,000
Fabric	C	¥160,000
	B	¥204,000
	A	¥220,000
Leather	C	¥228,000
	B	¥286,000
	A	¥341,000
PU Leather		¥160,000

Walnut		Lead time: 10-12 weeks
COM/COL		¥165,000
Fabric	C	¥165,000
	B	¥209,000
	A	¥225,000
Leather	C	¥233,000
	B	¥291,000
	A	¥346,000
PU Leather		¥165,000



Teddy Daybed

by Meyer Davis

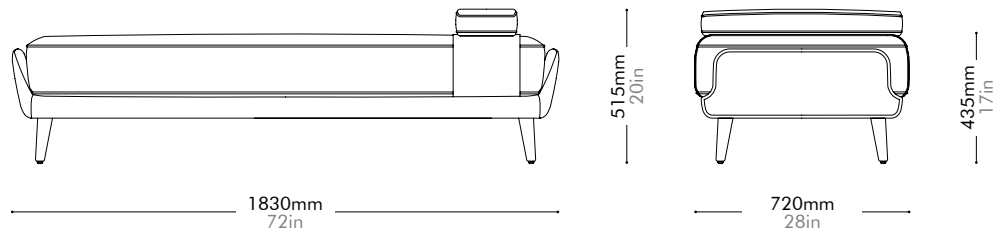


WG-S610

Materials	Solid wood leg, upholstery		
Dimensions	W1830 x D720 x H515mm; SH: 435mm W72" x D28" x H20"; SH: 17"		
Weight	45.0kg 99lb		
Upholstery	5.6M 143.0SF		
Shipping Volume	0.89CBM		
Pkg Dimensions	FCL	W1895 x D785 x H600mm; 53.64kg W75" x D31" x H24"; 118lb	
	LCL/AIR	W1935 x D825 x H690mm; 72.19kg W76" x D32" x H27"; 159lb	

Oak		Lead time: 10-12 weeks
COM/COL		¥312,000
Fabric	C	¥312,000
	B	¥429,000
	A	¥470,000
Leather	C	¥539,000
	B	¥724,000
	A	¥898,000
PU Leather		¥312,000

Walnut		Lead time: 10-12 weeks
COM/COL		¥317,000
Fabric	C	¥317,000
	B	¥434,000
	A	¥475,000
Leather	C	¥544,000
	B	¥730,000
	A	¥903,000
PU Leather		¥317,000



Trinity Dining Table Long - Wood Top by Meyer Davis

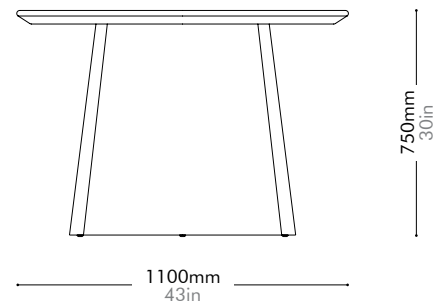
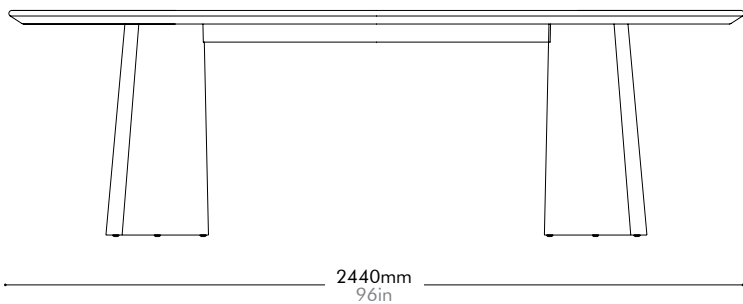


WG-T430-WD

Materials	Solid wood legs, wood veneer top	
Dimensions	W2440 x D1100 x H750mm W96" x D43" x H30"	
Weight	95.0kg 209lb	
Upholstery		
Shipping Volume	2.85CBM	
Pkg Dimensions	FCL/LCL/AIR	W2535 x D1195 x H940mm; 169.65kg W100" x D47" x H37"; 374lb

Oak Lead time: 10-12 weeks
 ¥493,000

Walnut Lead time: 10-12 weeks
 ¥593,000



Trinity Side Table

by Meyer Davis



WG-T130

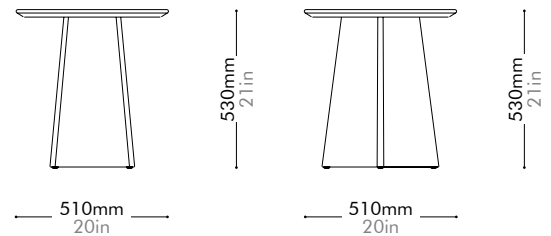
Materials	Solid wood legs, wood veneer top	
Dimensions	Ø510 x H530mm Ø20" x H21"	
Weight	6.0kg 13lb	
Upholstery		
Shipping Volume	0.20CBM	
Pkg Dimensions	FCL	W575 x D575 x H595mm; 9.42kg W23" x D23" x H23"; 21lb
	LCL/AIR	W615 x D615 x H685mm; 13.82kg W24" x D24" x H27"; 30lb

Oak Lead time: 10-12 weeks

¥118,000

Walnut Lead time: 10-12 weeks

¥148,000



Varick Wooden Arm Chair by Meyer Davis



WG-S410-WD

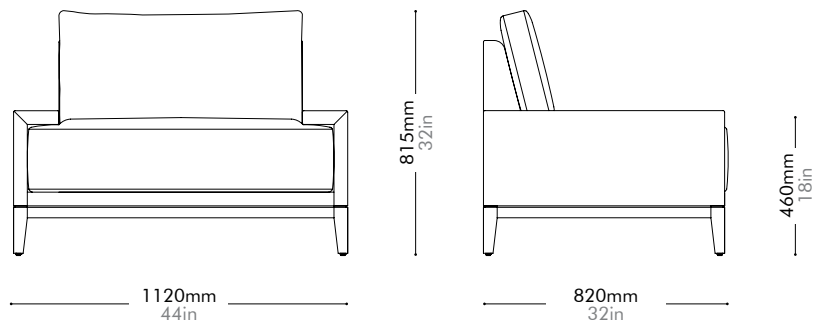
Materials	Solid wood leg frame, upholstery		
Dimensions	W1120 x D820 x H815mm; SH: 460mm W44" x D32" x H32"; SH: 18"		
Weight	46.5kg 103lb		
Upholstery	5.0M 99.0SF		
Shipping Volume	0.89CBM		
Pkg Dimensions	FCL	W1205 x D905 x H820mm; 55.23kg W47" x D36" x H32"; 122lb	
	LCL/AIR	W1245 x D945 x H910mm; 68.90kg W49" x D37" x H36"; 152lb	

Oak Lead time: 10-12 weeks

COM/COL		¥352,000
Fabric	C	¥352,000
	B	¥452,000
	A	¥487,000
Leather	C	¥481,000
	B	¥596,000
	A	¥704,000
PU Leather		¥352,000

Walnut Lead time: 10-12 weeks

COM/COL		¥410,000
Fabric	C	¥410,000
	B	¥510,000
	A	¥545,000
Leather	C	¥539,000
	B	¥654,000
	A	¥762,000
PU Leather		¥410,000



Varick Upholstered Arm Chair by Meyer Davis



WG-S410-UP

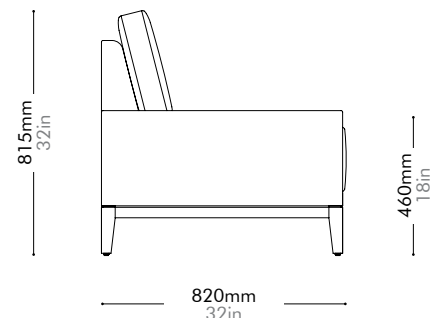
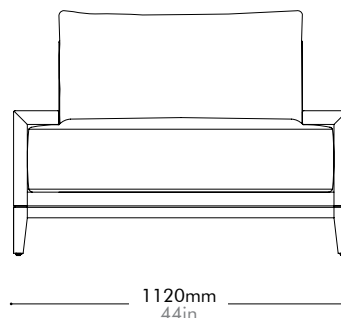
Materials	Solid wood leg frame, upholstery	
Dimensions	W1120 x D820 x H815mm; SH: 460mm W44" x D32" x H32"; SH: 18"	
Weight	46.5kg 103lb	
Upholstery	5.0M 99.0SF	Arm Leather: 38.5SF
Shipping Volume	0.89CBM	
Pkg Dimensions	FCL	W1205 x D905 x H820mm; 55.23kg W47" x D36" x H32"; 122lb
	LCL/AIR	W1245 x D945 x H910mm; 68.90kg W49" x D37" x H36"; 152lb

Oak Lead time: 10-12 weeks

COM/COL		¥378,000
Leather	C	¥556,000
	B	¥716,000
	A	¥866,000
PU Leather		¥378,000
Fabric + Leather	C+C	¥427,000
	C+B	¥472,000
	C+A	¥514,000
	B+C	¥527,000
	B+B	¥572,000
	B+A	¥614,000
	A+C	¥562,000
	A+B	¥607,000
	A+A	¥649,000
	Fabric + PU Leather	C+PU
B+PU		¥477,000
A+PU		¥512,000

Walnut Lead time: 10-12 weeks

COM/COL		¥436,000
Leather	C	¥614,000
	B	¥774,000
	A	¥924,000
PU Leather		¥436,000
Fabric + Leather	C+C	¥486,000
	C+B	¥530,000
	C+A	¥572,000
	B+C	¥585,000
	B+B	¥630,000
	B+A	¥672,000
	A+C	¥620,000
	A+B	¥665,000
	A+A	¥707,000
	Fabric + PU Leather	C+PU
B+PU		¥535,000
A+PU		¥570,000



Varick

Wooden Single Arm Chair L

by Meyer Davis

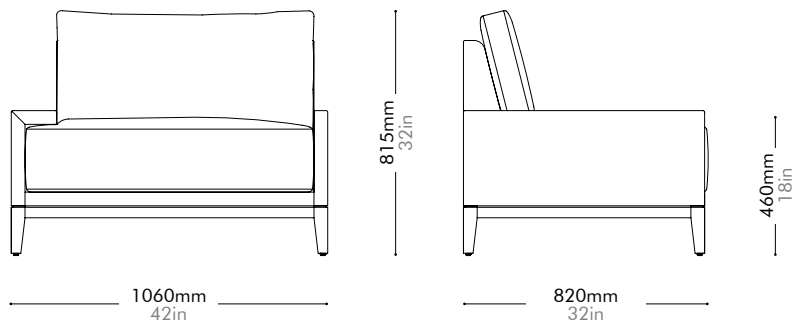


WG-S410-WD-L

Materials	Solid wood leg frame, upholstery		
Dimensions	W1060 x D820 x H815mm; SH: 460mm W42" x D32" x H32"; SH: 18"		
Weight	45.0kg 99lb		
Upholstery	4.8M 99.OSF		
Shipping Volume	0.85CBM		
Pkg Dimensions	FCL	W1145 x D905 x H820mm; 53.47kg W45" x D36" x H32"; 118lb	
	LCL/AIR	W1185 x D945 x H910mm; 66.49kg W47" x D37" x H36"; 147lb	

Oak		Lead time: 10-12 weeks
COM/COL		¥348,000
Fabric	C	¥348,000
	B	¥445,000
	A	¥479,000
Leather	C	¥478,000
	B	¥593,000
	A	¥701,000
PU Leather		¥348,000

Walnut		Lead time: 10-12 weeks
COM/COL		¥406,000
Fabric	C	¥406,000
	B	¥503,000
	A	¥537,000
Leather	C	¥536,000
	B	¥651,000
	A	¥759,000
PU Leather		¥406,000



Varick

Wooden Single Arm Chair R

by Meyer Davis



WG-S410-WD-R

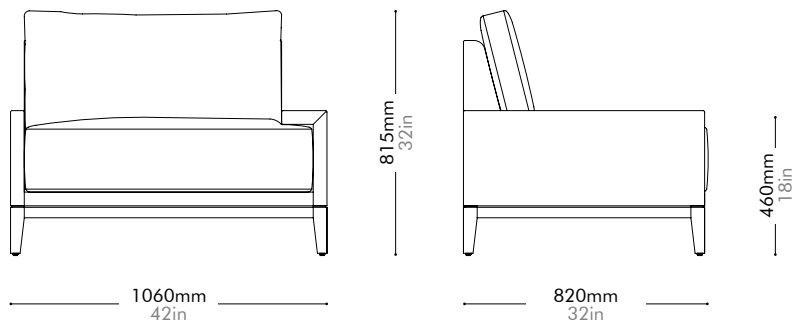
Materials	Solid wood leg frame, upholstery	
Dimensions	W1060 x D820 x H815mm; SH: 460mm W42" x D32" x H32"; SH: 18"	
Weight	45.0kg 99lb	
Upholstery	4.8M 99.OSF	
Shipping Volume	0.85CBM	
Pkg Dimensions	FCL	W1145 x D905 x H820mm; 53.47kg W45" x D36" x H32"; 118lb
	LCL/AIR	W1185 x D945 x H910mm; 66.49kg W47" x D37" x H36"; 147lb

Oak Lead time: 10-12 weeks

COM/COL		¥348,000
Fabric	C	¥348,000
	B	¥445,000
	A	¥479,000
Leather	C	¥478,000
	B	¥593,000
	A	¥701,000
PU Leather		¥348,000

Walnut Lead time: 10-12 weeks

COM/COL		¥406,000
Fabric	C	¥406,000
	B	¥503,000
	A	¥537,000
Leather	C	¥536,000
	B	¥651,000
	A	¥759,000
PU Leather		¥406,000



Varick Upholstered Single Arm Chair L by Meyer Davis



WG-S410-UP-L

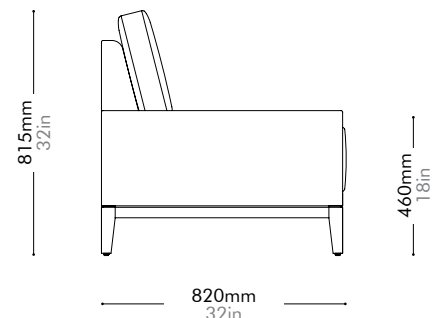
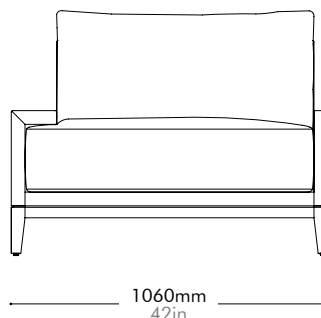
Materials	Solid wood leg frame, upholstery	
Dimensions	W1060 x D820 x H815mm; SH: 460mm W42" x D32" x H32"; SH: 18"	
Weight	45.0kg 99lb	
Upholstery	4.8M 99.0SF	Arm Leather: 36.3SF
Shipping Volume	0.85CBM	
Pkg Dimensions	FCL	W1145 x D905 x H820mm; 53.47kg W45" x D36" x H32"; 118lb
	LCL/AIR	W1185 x D945 x H910mm; 66.49kg W47" x D37" x H36"; 147lb

Oak Lead time: 10-12 weeks

COM/COL		¥374,000
Leather	C	¥549,000
	B	¥707,000
	A	¥854,000
PU Leather		¥374,000
Fabric + Leather	C+C	¥420,000
	C+B	¥462,000
	C+A	¥501,000
	B+C	¥517,000
	B+B	¥559,000
	B+A	¥599,000
	A+C	¥551,000
	A+B	¥593,000
	A+A	¥633,000
	Fabric + PU Leather	C+PU
B+PU		¥471,000
A+PU		¥505,000

Walnut Lead time: 10-12 weeks

COM/COL		¥432,000
Leather	C	¥607,000
	B	¥765,000
	A	¥912,000
PU Leather		¥432,000
Fabric + Leather	C+C	¥478,000
	C+B	¥520,000
	C+A	¥559,000
	B+C	¥575,000
	B+B	¥617,000
	B+A	¥657,000
	A+C	¥609,000
	A+B	¥651,000
	A+A	¥691,000
	Fabric + PU Leather	C+PU
B+PU		¥529,000
A+PU		¥563,000



Varick Upholstered Single Arm Chair R by Meyer Davis

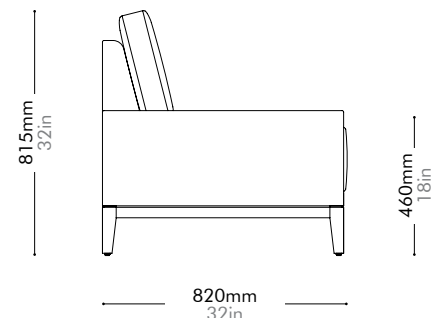
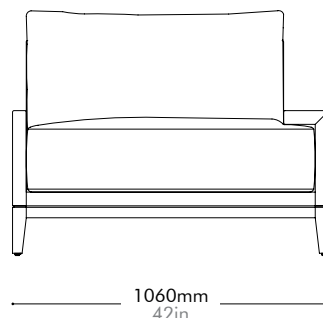


WG-S410-UP-R

Materials	Solid wood leg frame, upholstery	
Dimensions	W1060 x D820 x H815mm; SH: 460mm W42" x D32" x H32"; SH: 18"	
Weight	45.0kg 99lb	
Upholstery	4.8M 99.0SF	Arm Leather: 36.3SF
Shipping Volume	0.85CBM	
Pkg Dimensions	FCL	W1145 x D905 x H820mm; 53.47kg W45" x D36" x H32"; 118lb
	LCL/AIR	W1185 x D945 x H910mm; 66.49kg W47" x D37" x H36"; 147lb

Oak		Lead time: 10-12 weeks
COM/COL		¥374,000
Leather	C	¥549,000
	B	¥707,000
	A	¥854,000
PU Leather		¥374,000
Fabric + Leather	C+C	¥420,000
	C+B	¥462,000
	C+A	¥501,000
	B+C	¥517,000
	B+B	¥559,000
	B+A	¥599,000
	A+C	¥551,000
	A+B	¥593,000
	A+A	¥633,000
	Fabric + PU Leather	C+PU
B+PU		¥471,000
A+PU		¥505,000

Walnut		Lead time: 10-12 weeks
COM/COL		¥432,000
Leather	C	¥607,000
	B	¥765,000
	A	¥912,000
PU Leather		¥432,000
Fabric + Leather	C+C	¥478,000
	C+B	¥520,000
	C+A	¥559,000
	B+C	¥575,000
	B+B	¥617,000
	B+A	¥657,000
	A+C	¥609,000
	A+B	¥651,000
	A+A	¥691,000
	Fabric + PU Leather	C+PU
B+PU		¥529,000
A+PU		¥563,000



Varick

Wooden Sofa

by Meyer Davis



WG-S420-WD

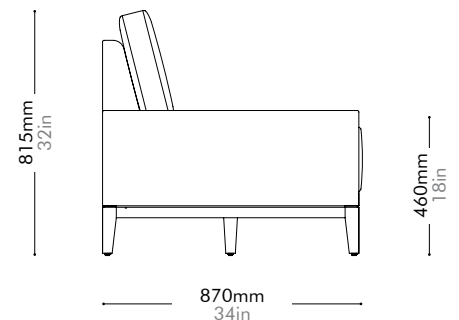
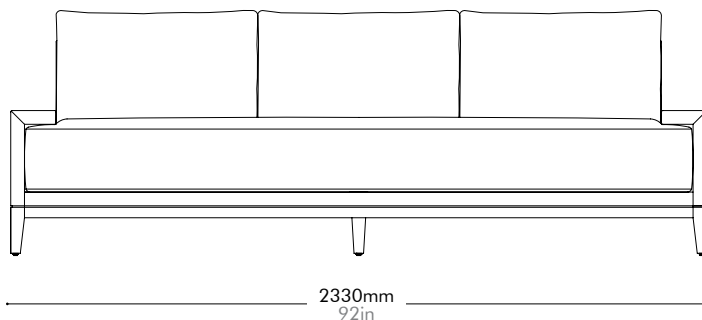
Materials	Solid wood leg frame, upholstery		
Dimensions	W2330 x D870 x H815mm; SH: 460mm W92" x D34" x H32"; SH: 18"		
Weight	85.0kg 187lb		
Upholstery	10.6M 192.5SF		
Shipping Volume	1.89CBM		
Pkg Dimensions	FCL	W2415 x D955 x H820mm; 99.36kg W95" x D38" x H32"; 219lb	
	LCL/AIR	W2455 x D955 x H910mm; 127.74kg W97" x D39" x H36"; 282lb	

Oak Lead time: 10-12 weeks

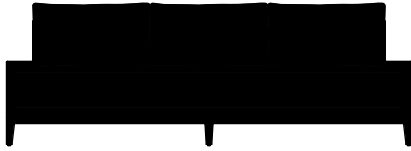
COM/COL		¥652,000
Fabric	C	¥652,000
	B	¥864,000
	A	¥939,000
Leather	C	¥894,000
	B	¥1,117,000
	A	¥1,327,000
PU Leather		¥652,000

Walnut Lead time: 10-12 weeks

COM/COL		¥819,000
Fabric	C	¥819,000
	B	¥1,032,000
	A	¥1,106,000
Leather	C	¥1,061,000
	B	¥1,285,000
	A	¥1,495,000
PU Leather		¥819,000



Varick Upholstered Sofa by Meyer Davis



WG-S420-UP

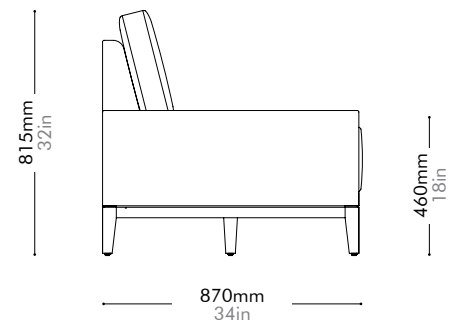
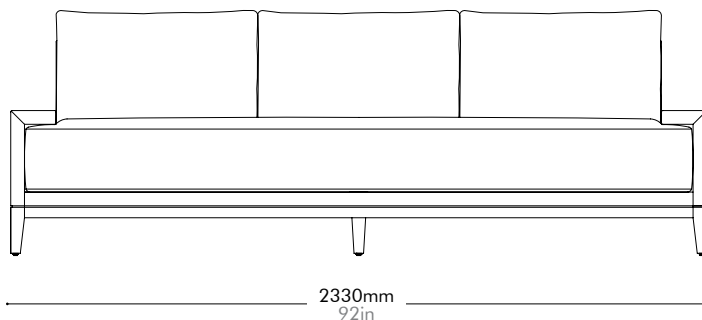
Materials	Solid wood leg frame, upholstery	
Dimensions	W2330 x D870 x H815mm; SH: 460mm W92" x D34" x H32"; SH: 18"	
Weight	85.0kg 187lb	
Upholstery	10.6M 192.5SF	Arm Leather: 49.5SF
Shipping Volume	1.89CBM	
Pkg Dimensions	FCL W2415 x D955 x H820mm; 99.36kg W95" x D38" x H32"; 219lb	
	LCL/AIR W2455 x D955 x H910mm; 127.74kg W97" x D39" x H36"; 282lb	

Oak Lead time: 10-12 weeks

COM/COL		¥688,000
Leather	C	¥998,000
	B	¥1,279,000
	A	¥1,543,000
PU Leather		¥688,000
Fabric + Leather	C+C	¥756,000
	C+B	¥813,000
	C+A	¥867,000
	B+C	¥968,000
	B+B	¥1,026,000
	B+A	¥1,080,000
	A+C	¥1,043,000
	A+B	¥1,100,000
	A+A	¥1,154,000
	Fabric + PU Leather	C+PU
B+PU		¥900,000
A+PU		¥975,000

Walnut Lead time: 10-12 weeks

COM/COL		¥855,000
Leather	C	¥1,165,000
	B	¥1,447,000
	A	¥1,711,000
PU Leather		¥855,000
Fabric + Leather	C+C	¥923,000
	C+B	¥981,000
	C+A	¥1,035,000
	B+C	¥1,136,000
	B+B	¥1,193,000
	B+A	¥1,247,000
	A+C	¥1,210,000
	A+B	¥1,268,000
	A+A	¥1,322,000
	Fabric + PU Leather	C+PU
B+PU		¥1,068,000
A+PU		¥1,142,000



Varick Wooden Chaise L

by Meyer Davis



WG-S420-WD-L

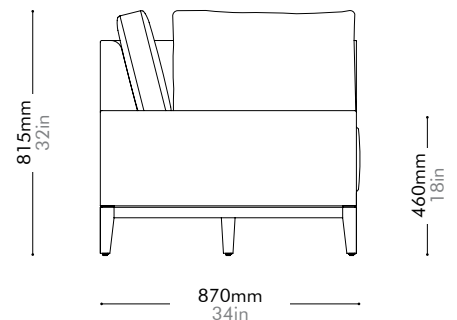
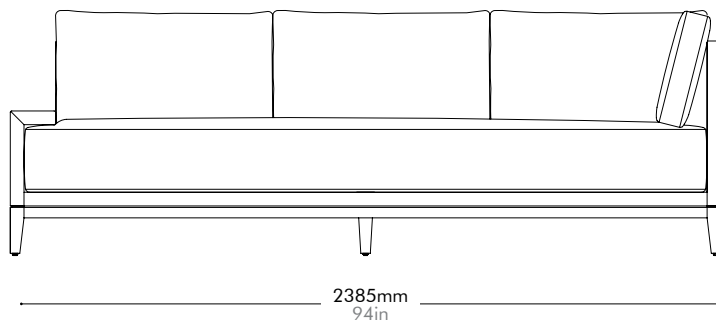
Materials	Solid wood leg frame, upholstery		
Dimensions	W2385 x D870 x H815mm; SH: 460mm W94" x D34" x H32"; SH: 18"		
Weight	83.0kg 183lb		
Upholstery	10.3M 231.OSF		
Shipping Volume	1.93CBM		
Pkg Dimensions	FCL	W2470 x D955 x H820mm; 97.60kg W97" x D38" x H32"; 215lb	
	LCL/AIR	W2510 x D995 x H910mm; 126.62kg W99" x D39" x H36"; 279lb	

Oak Lead time: 10-12 weeks

COM/COL		¥659,000
Fabric	C	¥659,000
	B	¥867,000
	A	¥940,000
Leather	C	¥971,000
	B	¥1,239,000
	A	¥1,491,000
PU Leather		¥659,000

Walnut Lead time: 10-12 weeks

COM/COL		¥817,000
Fabric	C	¥817,000
	B	¥1,025,000
	A	¥1,098,000
Leather	C	¥1,129,000
	B	¥1,398,000
	A	¥1,650,000
PU Leather		¥817,000



Varick Wooden Chaise R

by Meyer Davis

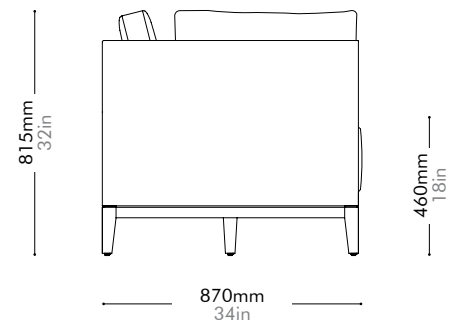
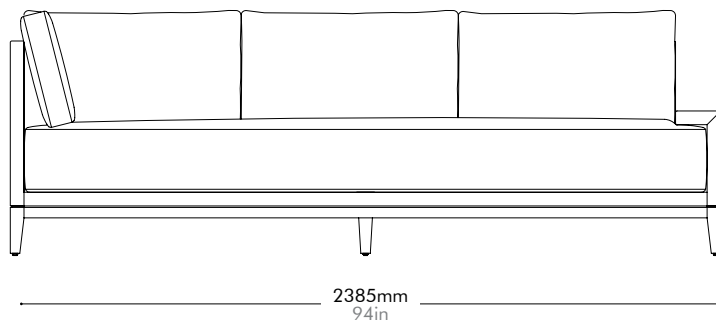


WG-S420-WD-R

Materials	Solid wood leg frame, upholstery		
Dimensions	W2385 x D870 x H815mm; SH: 460mm W94" x D34" x H32"; SH: 18"		
Weight	83.0kg 183lb		
Upholstery	10.3M 231.0SF		
Shipping Volume	1.93CBM		
Pkg Dimensions	FCL	W2470 x D955 x H820mm; 97.60kg W97" x D38" x H32"; 215lb	
	LCL/AIR	W2510 x D995 x H910mm; 126.62kg W99" x D39" x H36"; 279lb	

Oak		Lead time: 10-12 weeks
COM/COL		¥659,000
Fabric	C	¥659,000
	B	¥867,000
	A	¥940,000
Leather	C	¥971,000
	B	¥1,239,000
	A	¥1,491,000
PU Leather		¥659,000

Walnut		Lead time: 10-12 weeks
COM/COL		¥817,000
Fabric	C	¥817,000
	B	¥1,025,000
	A	¥1,098,000
Leather	C	¥1,129,000
	B	¥1,398,000
	A	¥1,650,000
PU Leather		¥817,000



Varick Upholstered Chaise L by Meyer Davis



WG-S420-UP-L

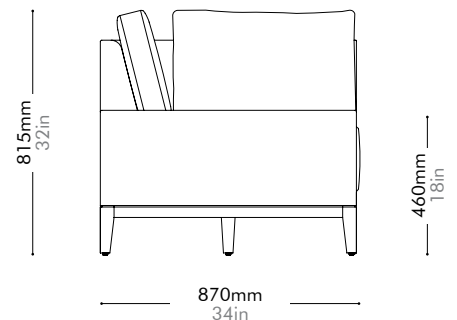
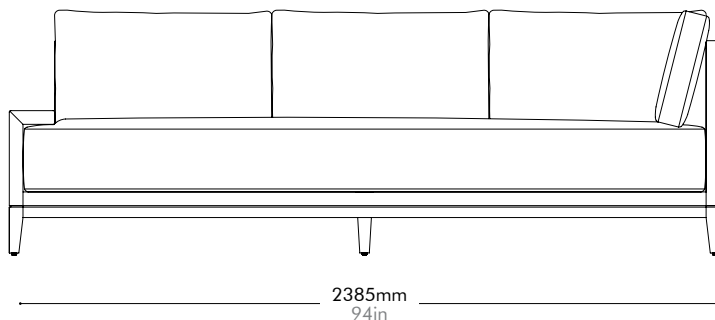
Materials	Solid wood leg frame, upholstery	
Dimensions	W2385 x D870 x H815mm; SH: 460mm W94" x D34" x H32"; SH: 18"	
Weight	83.0kg 183lb	
Upholstery	10.3M 231.0SF	Arm Leather: 33.0SF
Shipping Volume	1.93CBM	
Pkg Dimensions	FCL W2470 x D955 x H820mm; 97.60kg W97" x D38" x H32"; 215lb	
	LCL/AIR W2510 x D995 x H910mm; 126.62kg W99" x D39" x H36"; 279lb	

Oak Lead time: 10-12 weeks

COM/COL		¥675,000
Leather	C	¥1,033,000
	B	¥1,339,000
	A	¥1,627,000
PU Leather		¥675,000
Fabric + Leather	C+C	¥721,000
	C+B	¥759,000
	C+A	¥795,000
	B+C	¥929,000
	B+B	¥967,000
	B+A	¥1,003,000
	A+C	¥1,002,000
	A+B	¥1,040,000
	A+A	¥1,076,000
	Fabric + PU Leather	C+PU
B+PU		¥883,000
A+PU		¥956,000

Walnut Lead time: 10-12 weeks

COM/COL		¥842,000
Leather	C	¥1,200,000
	B	¥1,507,000
	A	¥1,795,000
PU Leather		¥842,000
Fabric + Leather	C+C	¥888,000
	C+B	¥927,000
	C+A	¥963,000
	B+C	¥1,096,000
	B+B	¥1,135,000
	B+A	¥1,171,000
	A+C	¥1,169,000
	A+B	¥1,208,000
	A+A	¥1,244,000
	Fabric + PU Leather	C+PU
B+PU		¥1,050,000
A+PU		¥1,123,000



Varick Upholstered Chaise R by Meyer Davis



WG-S420-UP-R

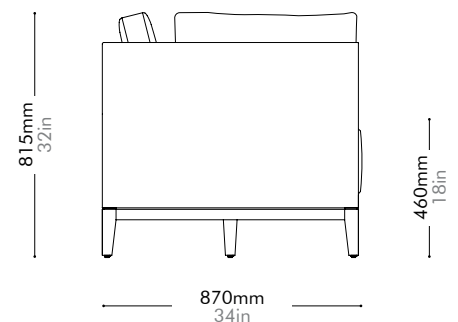
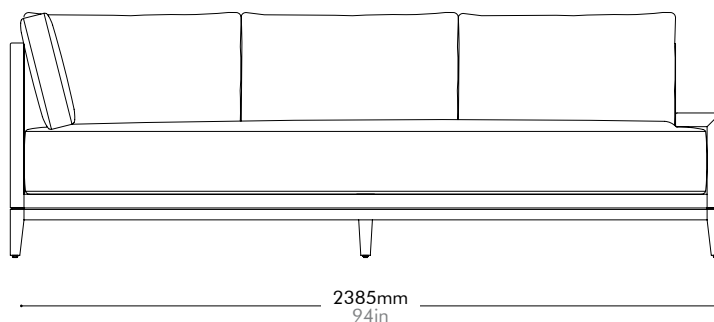
Materials	Solid wood leg frame, upholstery	
Dimensions	W2385 x D870 x H815mm; SH: 460mm W94" x D34" x H32"; SH: 18"	
Weight	83.0kg 183lb	
Upholstery	10.3M 231.OSF	Arm Leather: 33.OSF
Shipping Volume	1.93CBM	
Pkg Dimensions	FCL	W2470 x D955 x H820mm; 97.60kg W97" x D38" x H32"; 215lb
	LCL/AIR	W2510 x D995 x H910mm; 126.62kg W99" x D39" x H36"; 279lb

Oak Lead time: 10-12 weeks

COM/COL		¥675,000
Leather	C	¥1,033,000
	B	¥1,339,000
	A	¥1,627,000
PU Leather		¥675,000
Fabric + Leather	C+C	¥721,000
	C+B	¥759,000
	C+A	¥795,000
	B+C	¥929,000
	B+B	¥967,000
	B+A	¥1,003,000
	A+C	¥1,002,000
	A+B	¥1,040,000
	A+A	¥1,076,000
Fabric + PU Leather	C+PU	¥675,000
	B+PU	¥883,000
	A+PU	¥956,000

Walnut Lead time: 10-12 weeks

COM/COL		¥842,000
Leather	C	¥1,200,000
	B	¥1,507,000
	A	¥1,795,000
PU Leather		¥842,000
Fabric + Leather	C+C	¥888,000
	C+B	¥927,000
	C+A	¥963,000
	B+C	¥1,096,000
	B+B	¥1,135,000
	B+A	¥1,171,000
	A+C	¥1,169,000
	A+B	¥1,208,000
	A+A	¥1,244,000
Fabric + PU Leather	C+PU	¥842,000
	B+PU	¥1,050,000
	A+PU	¥1,123,000



Varick Wooden Sectional Sofa L

by Meyer Davis



WG-S430-WD-L

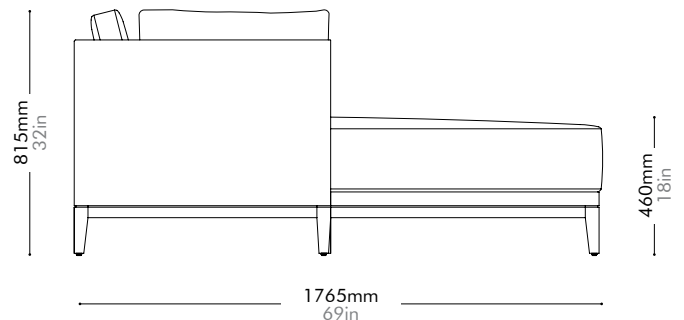
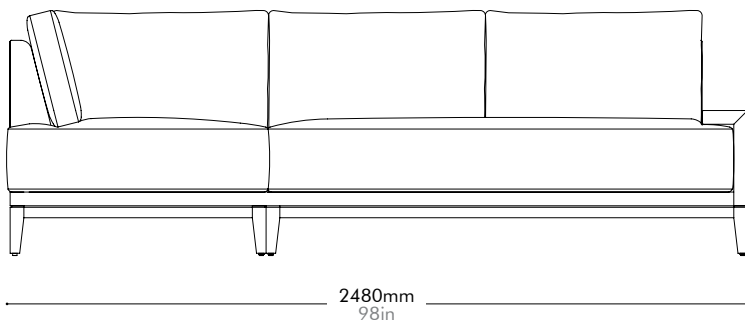
Materials	Solid wood leg frame, upholstery		
Dimensions	W2480 x D1765 x H815mm; SH: 460mm W98" x D69" x H32"; SH: 18"		
Weight	140.0kg 309lb		
Upholstery	12.1M 258.5SF		
Shipping Volume	1.27+1.43CBM		
Pkg Dimensions	FCL	W1695 x D915 x H820mm; 80.91kg W67" x D36" x H32"; 178lb	
		W1850 x D940 x H820mm; 81.75kg W73" x D37" x H32"; 180lb	
	LCL/AIR	W1735 x D955 x H910mm; 100.16kg W68" x D38" x H36"; 221lb	
		W1890 x D980 x H910mm; 103.27kg W74" x D39" x H36"; 228lb	

Oak Lead time: 10-12 weeks

COM/COL		¥987,000
Fabric	C	¥987,000
	B	¥1,297,000
	A	¥1,405,000
Leather	C	¥1,425,000
	B	¥1,807,000
	A	¥2,166,000
PU Leather		¥987,000

Walnut Lead time: 10-12 weeks

COM/COL		¥1,200,000
Fabric	C	¥1,200,000
	B	¥1,510,000
	A	¥1,619,000
Leather	C	¥1,638,000
	B	¥2,020,000
	A	¥2,379,000
PU Leather		¥1,200,000



Varick Wooden Sectional Sofa R by Meyer Davis



WG-S430-WD-R

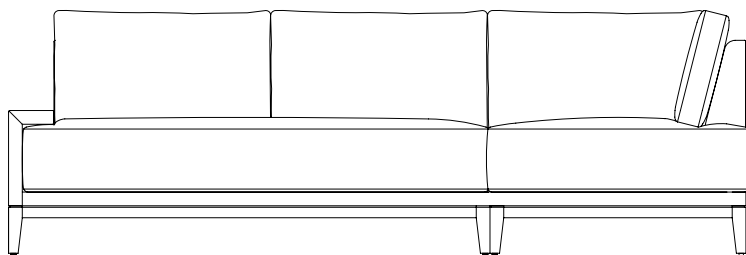
Materials	Solid wood leg frame, upholstery		
Dimensions	W2480 x D1765 x H815mm; SH: 460mm W98" x D69" x H32"; SH: 18"		
Weight	140.0kg 309lb		
Upholstery	12.1M 258.5SF		
Shipping Volume	1.27+1.43CBM		
Pkg Dimensions	FCL	W1695 x D915 x H820mm; 80.91kg W67" x D36" x H32"; 178lb	
		W1850 x D940 x H820mm; 81.75kg W73" x D37" x H32"; 180lb	
	LCL/AIR	W1735 x D955 x H910mm; 100.16kg W68" x D38" x H36"; 221lb	
		W1890 x D980 x H910mm; 103.27kg W74" x D39" x H36"; 228lb	

Oak Lead time: 10-12 weeks

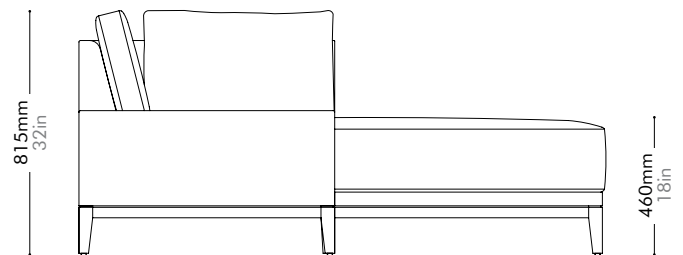
COM/COL		¥987,000
Fabric	C	¥987,000
	B	¥1,297,000
	A	¥1,405,000
Leather	C	¥1,425,000
	B	¥1,807,000
	A	¥2,166,000
PU Leather		¥987,000

Walnut Lead time: 10-12 weeks

COM/COL		¥1,200,000
Fabric	C	¥1,200,000
	B	¥1,510,000
	A	¥1,619,000
Leather	C	¥1,638,000
	B	¥2,020,000
	A	¥2,379,000
PU Leather		¥1,200,000



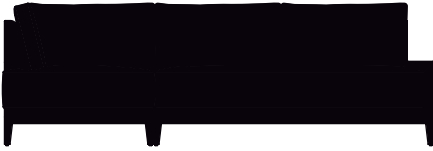
2480mm
98in



1765mm
69in

460mm
18in

Varick Upholstered Sectional Sofa L by Meyer Davis



WG-S430-UP-L

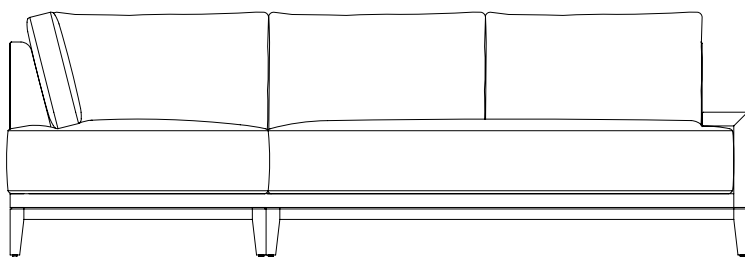
Materials	Solid wood leg frame, upholstery		
Dimensions	W2480 x D1765 x H815mm; SH: 460mm W98" x D69" x H32"; SH: 18"		
Weight	140.0kg 309lb		
Upholstery	12.1M 258.5SF	Arm Leather: 49.5SF	
Shipping Volume	1.27+1.43CBM		
Pkg Dimensions	FCL	W1695 x D915 x H820mm; 80.91kg W67" x D36" x H32"; 178lb	
		W1850 x D940 x H820mm; 81.75kg W73" x D37" x H32"; 180lb	
	LCL/AIR	W1735 x D955 x H910mm; 100.16kg W68" x D38" x H36"; 221lb	
		W1890 x D980 x H910mm; 103.27kg W74" x D39" x H36"; 228lb	

Oak Lead time: 10-12 weeks

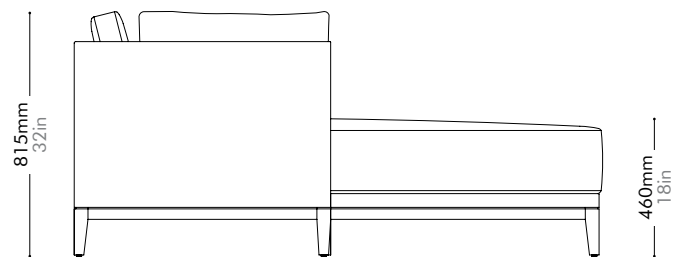
COM/COL		¥1,015,000
Leather	C	¥1,540,000
	B	¥1,995,000
	A	¥2,423,000
PU Leather		¥1,015,000
Fabric + Leather	C+C	¥1,102,000
	C+B	¥1,175,000
	C+A	¥1,244,000
	B+C	¥1,412,000
	B+B	¥1,485,000
	B+A	¥1,554,000
	A+C	¥1,520,000
	A+B	¥1,594,000
	A+A	¥1,662,000
	Fabric + PU Leather	C+PU
B+PU		¥1,325,000
A+PU		¥1,434,000

Walnut Lead time: 10-12 weeks

COM/COL		¥1,229,000
Leather	C	¥1,753,000
	B	¥2,209,000
	A	¥2,636,000
PU Leather		¥1,229,000
Fabric + Leather	C+C	¥1,315,000
	C+B	¥1,388,000
	C+A	¥1,457,000
	B+C	¥1,625,000
	B+B	¥1,698,000
	B+A	¥1,767,000
	A+C	¥1,734,000
	A+B	¥1,807,000
	A+A	¥1,876,000
	Fabric + PU Leather	C+PU
B+PU		¥1,538,000
A+PU		¥1,647,000



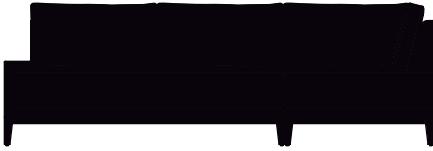
2480mm
98in



1765mm
69in

460mm
18in

Varick Upholstered Sectional Sofa R by Meyer Davis



WG-S430-UP-R

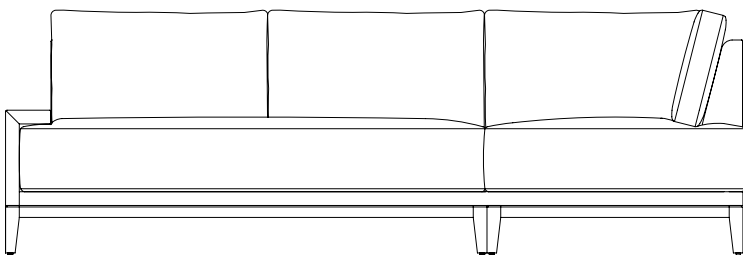
Materials	Solid wood leg frame, upholstery		
Dimensions	W2480 x D1765 x H815mm; SH: 460mm W98" x D69" x H32"; SH: 18"		
Weight	140.0kg 309lb		
Upholstery	12.1M 258.5SF	Arm Leather: 49.5SF	
Shipping Volume	1.27+1.43CBM		
Pkg Dimensions	FCL	W1695 x D915 x H820mm; 80.91kg W67" x D36" x H32"; 178lb	
		W1850 x D940 x H820mm; 81.75kg W73" x D37" x H32"; 180lb	
	LCL/AIR	W1735 x D955 x H910mm; 100.16kg W68" x D38" x H36"; 221lb	
		W1890 x D980 x H910mm; 103.27kg W74" x D39" x H36"; 228lb	

Oak Lead time: 10-12 weeks

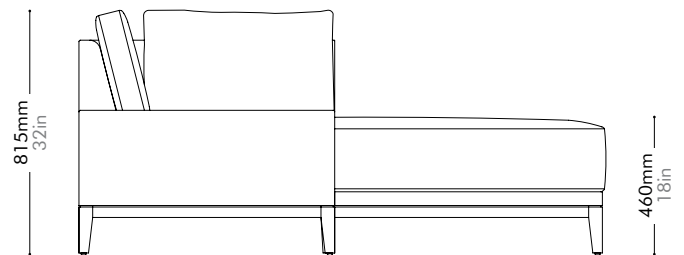
COM/COL		¥1,015,000
Leather	C	¥1,540,000
	B	¥1,995,000
	A	¥2,423,000
PU Leather		¥1,015,000
Fabric + Leather	C+C	¥1,102,000
	C+B	¥1,175,000
	C+A	¥1,244,000
	B+C	¥1,412,000
	B+B	¥1,485,000
	B+A	¥1,554,000
	A+C	¥1,520,000
	A+B	¥1,594,000
	A+A	¥1,662,000
	Fabric + PU Leather	C+PU
B+PU		¥1,325,000
A+PU		¥1,434,000

Walnut Lead time: 10-12 weeks

COM/COL		¥1,229,000
Leather	C	¥1,753,000
	B	¥2,209,000
	A	¥2,636,000
PU Leather		¥1,229,000
Fabric + Leather	C+C	¥1,315,000
	C+B	¥1,388,000
	C+A	¥1,457,000
	B+C	¥1,625,000
	B+B	¥1,698,000
	B+A	¥1,767,000
	A+C	¥1,734,000
	A+B	¥1,807,000
	A+A	¥1,876,000
	Fabric + PU Leather	C+PU
B+PU		¥1,538,000
A+PU		¥1,647,000



2480mm
98in



1765mm
69in

815mm
32in

460mm
18in



stellarworksjapan.com
japan@stellarworks-jp.com